

FGLS - 400

Worm Drive Limit Switches

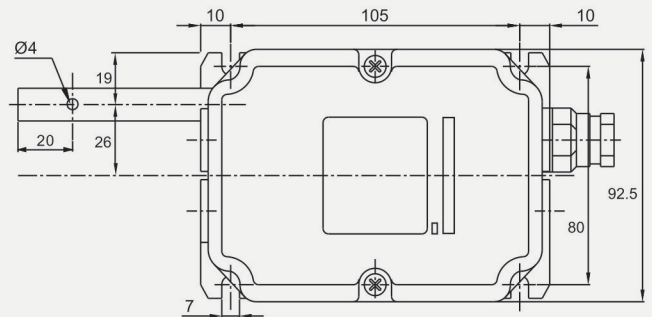
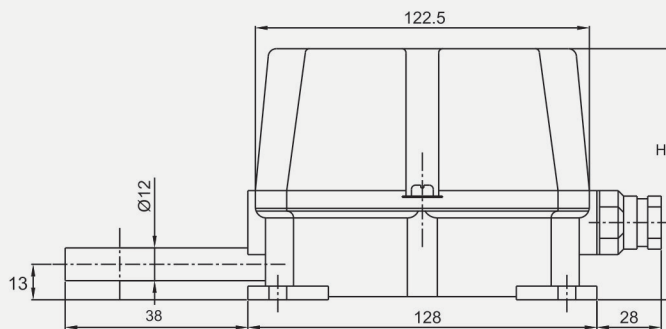
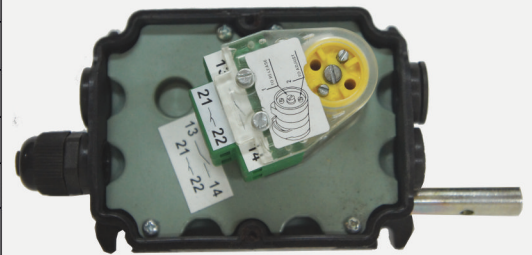
Introduction :

Worm Drive Limit Switches are suitable for use on reversing drives, such as Hoists, Cranes, Winches, Rolling Mills, Theaters, Coke Ovens etc. The driving motion is transmitted by worm gear. All gears and hubs are made of low wear thermoplastic. The rotational movements are transmitted to switches by adjustable cams.



Technical Data :

| | |
|------------------------------|------------------------------------|
| Body Material | Black GFN |
| Cover Material Yellow | Impact-proof Thermo- Plastic |
| Protection Degree | IP-55 IS : 13947 Part 1 |
| Operating Temperature | - 25°C to 70°C |
| Mounting Position | Any position mounting |
| Gear Ratios | 1:400 |
| Drive | Worm Screw |
| Cable Entries | Twin, 3/4 " BS Conduit |
| Input Speed | 1200 RPM, Maximum |
| Contact Material | Double brake, Silver Cadmium(snap) |
| Wire Connection | Screw terminal contact |
| Rated voltage | up to 600 V AC |
| Thermal Test Current | 10 A |
| No. Of Contacts | 2 NC OR 4 NC |
| Mechanical / Electrical Life | 1 Million Operations |



| Code | Ratios | Useful Rotations | 2 Contacts Model 2 NC | 4 Contacts Model 4 NC |
|--------------|--------|------------------|-----------------------|-----------------------|
| 101100060001 | 1:400 | 376 | FG - 400 P2 | FG - 400 P4 |



Speed-O-Controls Pvt. Ltd.

H. O. Unit - I : C-15/16, Nand Jyot Industrial Estate, Andheri-Kurla Road, Mumbai - 400072 ,
 Tel : (022) 42469700-30, 28518512-3-4,
 Fax : (022) 42469797/ 28518516,
 E-mail : sales@socgroup.in

Unit - II : Plot No. 4912, G. I. D. C., Phase IV, Vatva, Ahmedabad - 382445
 Tel.: (079) 40083201/2/3/4,
 Fax : (079) 25841056,
 E-mail : sales.amd@socgroup.in

Visit us at :
www.speedocontrols.com
www.socremote.com