

SPROCKET DRIVEN CABLE REELING DRUM



Introduction :-

Sprocket Driven Cable Reeling Drums are generally recommended to avoid tension on the cable & for better winding life of CRD . These drums are driven by means of Chain & Sprockets and are generally used for long travel & Vertical operation for lifting Magnets. Sprocket is mounted on Right hand shaft of CRD & Slipring Assembly Box is Provided on Left hand shaft of CRD. Sprocket driven CRD are available in 3 Models. However can be supplied as per customers requirements.



SPROCKET DRIVEN CABLE REELING DRUM

Technical Data

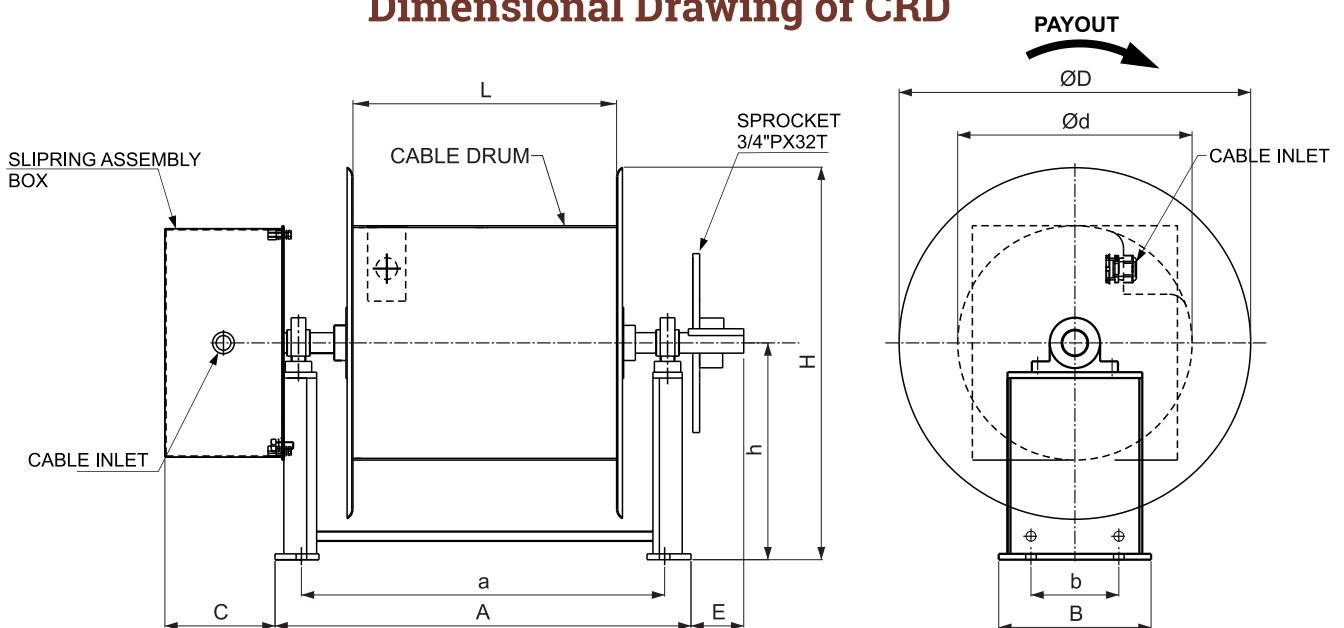
Type :-	Chain & Sprocket Driven Cable Reeling Drums
Drums :-	Steel Fabricated Drum with Powder Coating Finish
Pedestals :-	Steel Fabricated pedestals with Powder Coating & Bush Bearing Blocks .
Slip ring Box :-	Steel Fabricated Box with Powder Coating Finish
Slip ring Assly :-	Gunmetal Slip-rings are assembled on Flange with Studs & Nylon Bushes
Carbon Brush Assly :-	Carbon Brushes Assly , mounted on stud
Chain & Sprockets :-	To suit sprocket of the driving Drum/ Machine .

Technical Specification

MODEL	CRD-CSP Ø400 x 450L	CRD-CSP Ø500 x 450L	CRD-CSP Ø500 x 600L
DRUM FLANGE DIA (ØD) -mm	600	650	650
DRUM DIA (Ød) -mm	400	500	500
DRUM LENGTH (L) -mm	450	450	600
FRONT MOUNTING (a) -mm	620	620	770
SIDE MOUNTING (b) -mm	150	150	180
BASE (A) -mm	710	710	860
WIDTH (B) -mm	260	260	300
SLIPRING BOX (C) -mm	190	190	190
SPROCKET SIDE DIST. (E) -mm	90	90	90
CENTER HEIGHT (h) -mm	370	400	400
TOTAL HEIGHT (H) -mm	670	725	725
CABLE DIA (mm)	15 / 25	20 / 35	20 / 35
CABLE LENGTH APPROX. INCLUDING DEAD TURNS-M	25 / 15	30 / 20	35 / 20
CABLE LAYOUT	HORIZONTAL / VERTICAL	HORIZONTAL / VERTICAL	HORIZONTAL / VERTICAL

Preliminary Dimensions

Dimensional Drawing of CRD



H. O. Unit - I : C-15/16, Nand Jyot Industrial Estate, Andheri-Kurla Road, Mumbai - 400072,
Tel : (022) 42469700-30
E-mail : sales@socgroup.in

Unit - II: Plot No. 4912, G. I. D. C., Phase IV, Vatva, Ahmedabad - 382445
Tel.: (079) 68169700/702/712
E-mail : enquiry2@socgroup.in

Visit us at :
www.speedocontrols.com
www.socremote.com
www.socjoystick.com

SPEED-O-CONTROLS PVT. LTD.
INSULATED CONDUCTOR BARS