

# ELDY THRUSTER (80/12)



## Features

- Compact ,light weight and elegant design.
- Reliable and maintenance free operation.
- Smooth jerk free perfectly linear motion.
- Low noise and does not emit electrical disturbance.
- Suitable for out-door installation.
- Low power input.
- Easy mounting and dismounting.
- Bi-directional operation.
- Immune from external over-loading.
- Immune from supply voltage variations.

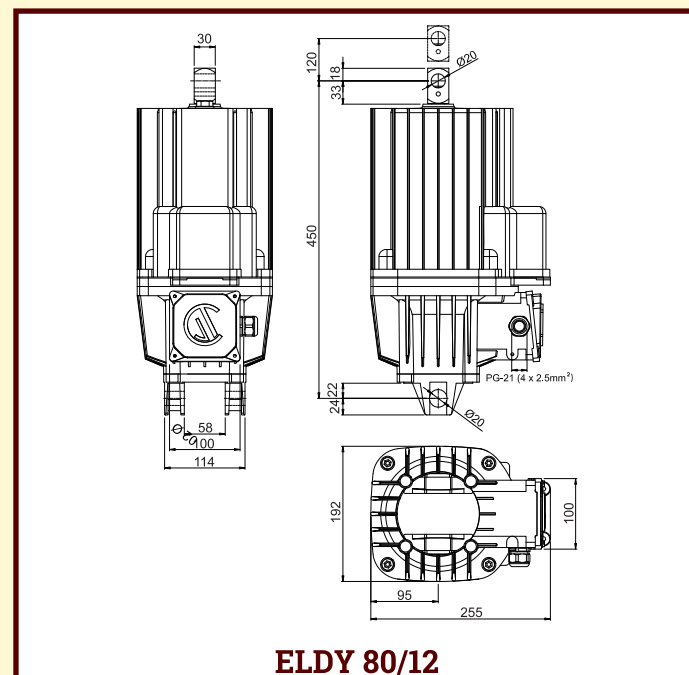
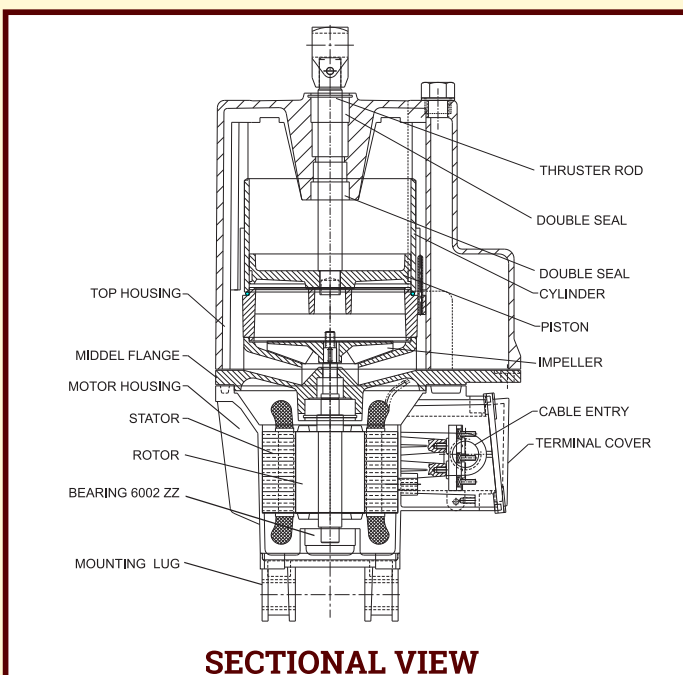
## Technical Data

|                          |                          |
|--------------------------|--------------------------|
| Thruster Model           | ELDY 80/12               |
| Lifting Force            | 80 Kg/800 N              |
| Stroke                   | 120 mm                   |
| Current at 415 VAC 50 Hz | 1.2 Amps                 |
| Power                    | 330 Watt                 |
| Oil Capacity             | 4.2 Liters               |
| Weight                   | 25 Kg                    |
| Voltage                  | 400/440 VAC,3Ø           |
| Ingress Protection       | IP-65 IS/IEC 600529:2001 |
| No. of Start             | 720/Hr                   |
| Ambient Temperature      | -25°C + 50°C             |
| Insulation               | Class F                  |

★ 380V, 460V, 550V on Enquiry



**Electro-Hydraulic Thruster  
Model Eldy 80/12**



H. O. Unit - I : C-15/16, Nand Jyot Industrial Estate, Andheri-Kurla Road, Mumbai - 400072,  
Tel : (022) 42469700/730  
E-mail : sales@socgroup.in

Unit - II: Plot No. 4912, G. I. D. C., Phase IV, Vatva, Ahmedabad - 382445  
Tel.: (079) 68169700/702/712  
E-mail : enquiry2@socgroup.in

Visit us at :  
www.speedocontrols.com  
www.socremote.com  
www.socjoystick.com

**SPEED-O-CONTROLS  
PVT. LTD.**  
**CRANE CONTROL GEAR**