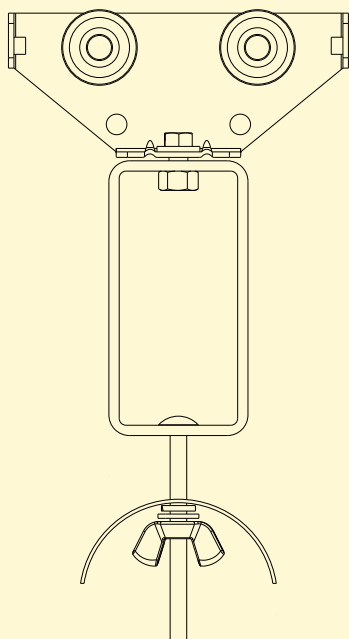
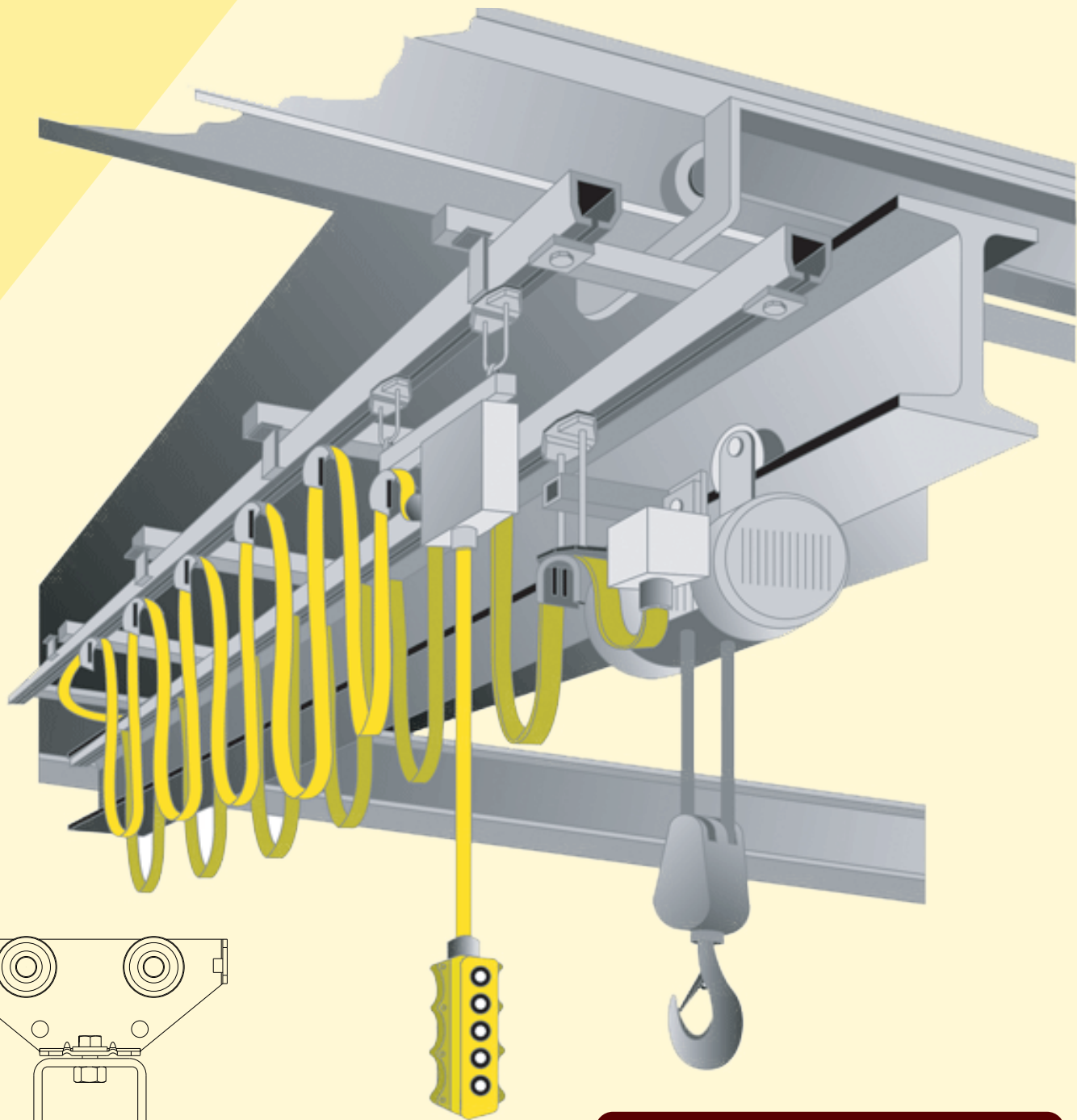


# CABLE TROLLEY

The C-Track System-Light Duty



Page 1 of 8



**CABLE TROLLEY**

H. O. Unit - I : C-15/16, Nand Jyot Industrial Estate, Andheri-Kurla Road, Mumbai - 400072 ,  
Tel : (022) 42469700-30  
E-mail : sales@socgroup.in

Unit - II : Plot No. 4912, G. I. D. C., Phase IV, Vatva, Ahmedabad - 382445  
Tel.: (079) 68169700/702/712  
E-mail : enquiry2@socgroup.in

Visit us at :  
[www.speedocontrols.com](http://www.speedocontrols.com)  
[www.socremote.com](http://www.socremote.com)  
[www.socjoystick.com](http://www.socjoystick.com)

**SPEED-O-CONTROLS PVT. LTD.**



**INSULATED CONDUCTOR BARS**

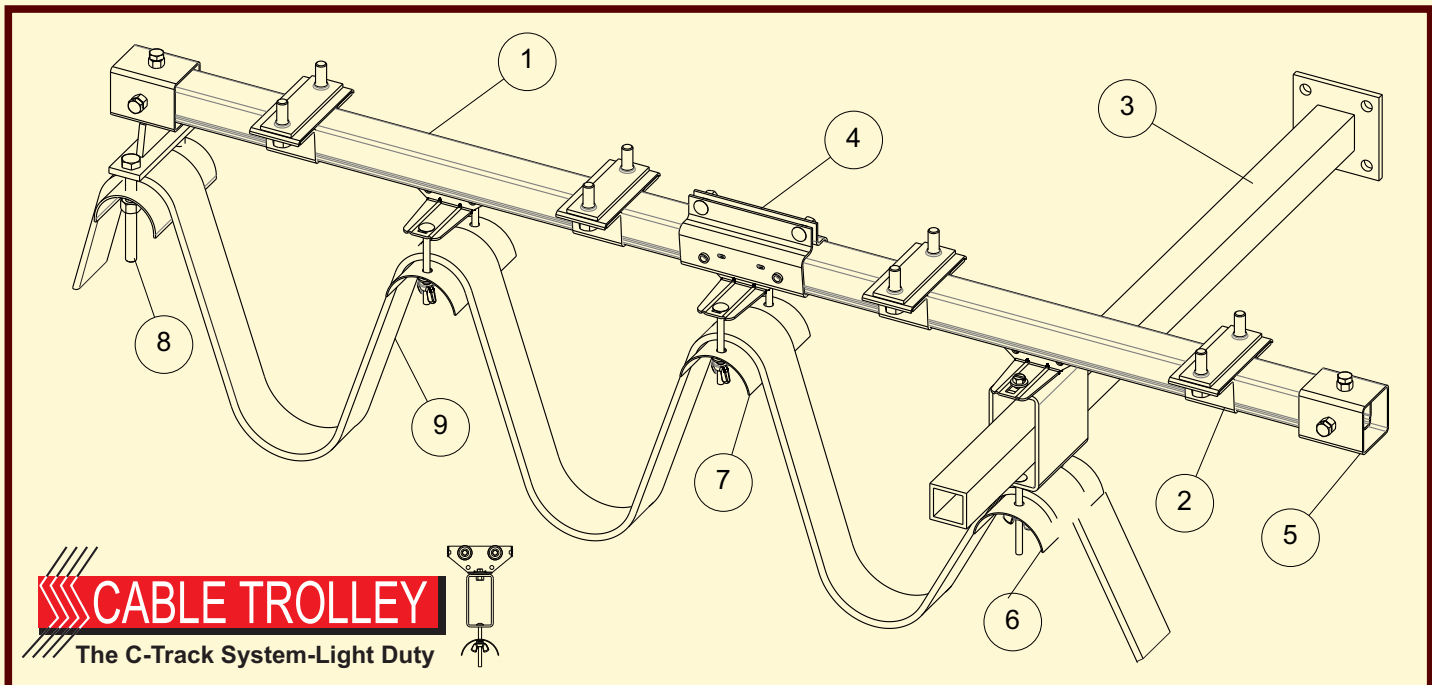
V5

14/08/24



## Introduction

**Festoon Systems** are categorized as either a C-Track or Tagline (wire) design. C-Track are used for providing power to a runway, power and control to a bridge crane, or lower voltage control to a separate pendant station circuit. The Festoon Cable is typically flat, but round versions are found. The benefits of flat cable over round is that flat cable will stack up without twisting, and the trolleys can accommodate multiple layers of cable. Tagline Festoons are generally used for providing power and control to a hoist system or a smaller crane.

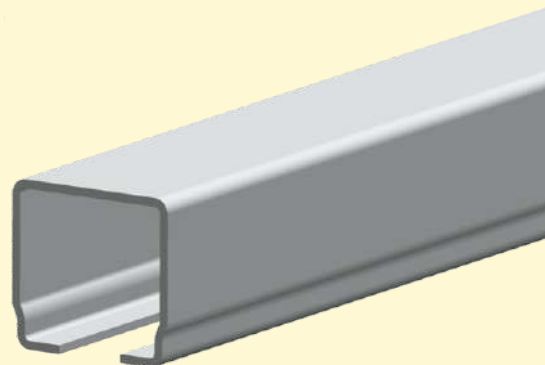
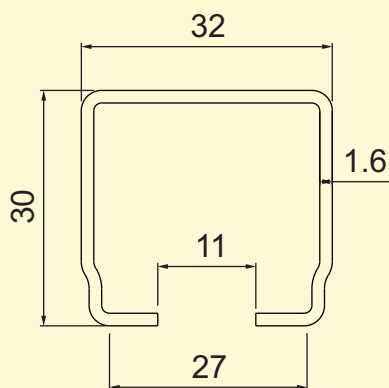


## COMPONENTS

- 1) **C Profile** : 'C' rail runway of the trolley 4 meter standard.
- 2) **Hanger Clamp** : Ensure the fastening of the 'C' rail to the structure. To be placed every 1.5 meters, in the ambush area every 1 meter.
- 3) **Towing Arm** : To be placed in the hoist or crane to make the haul together with the towing trolley.
- 4) **Track Coupler** : To fit Consecutive track sections.
- 5) **End Stop** : Avoid the fallen down of the trolleys at the end of the line.
- 6) **Towing Trolley** : It moves together with device to be fed.
- 7) **Cable Trolley** : It moves in the profile along the track bearing the cables.
- 8) **Fixed Trolley** : Placed at the beginning of the track bearing the cables.
- 9) **Electrical Cable** : It is determined by the number of cores and their section. It is flat to get a better shape when making the loops.

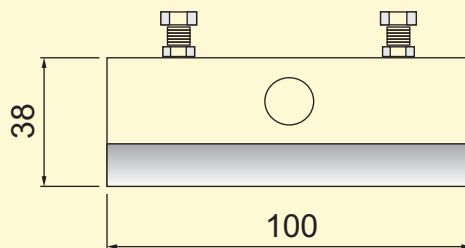


## C PROFILE



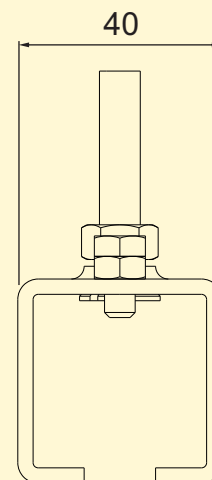
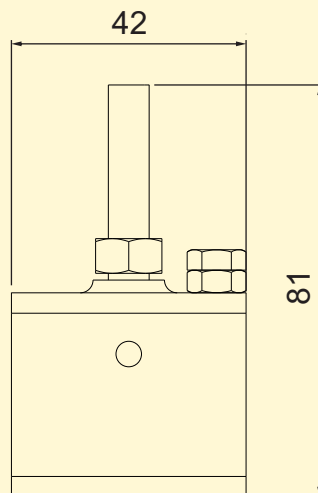
<b>TYPE</b>
<b>CR30</b>

## TRACK COUPLER



<b>TYPE</b>
<b>TC30</b>

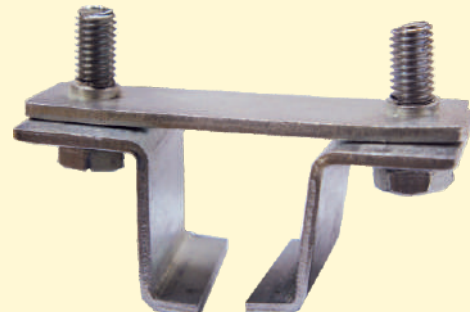
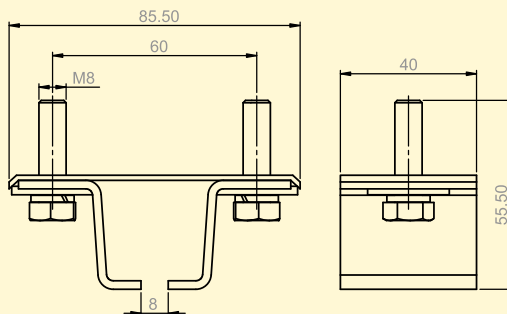
## HANGER CLAMP SINGLE BOLT



<b>TYPE</b>
<b>SHC30</b>

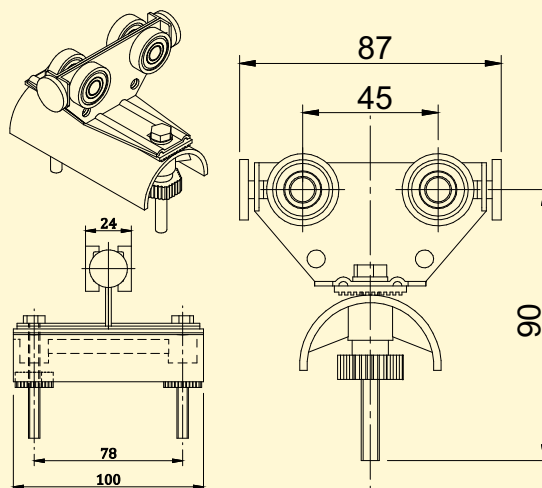


## HANGER CLAMP DOUBLE BOLT



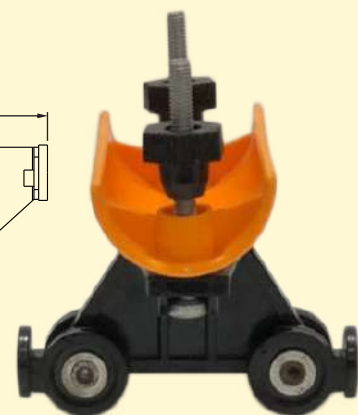
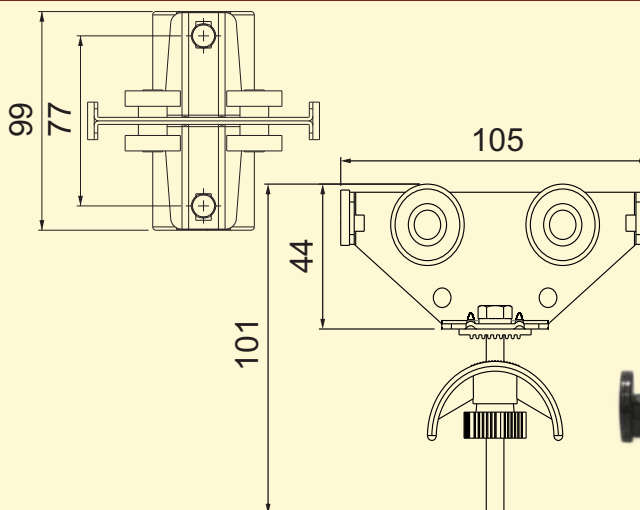
**TYPE**  
**DHC30**

## CABLE TROLLEY



**TYPE**  
**CT30**

## CABLE TROLLEY NYLON

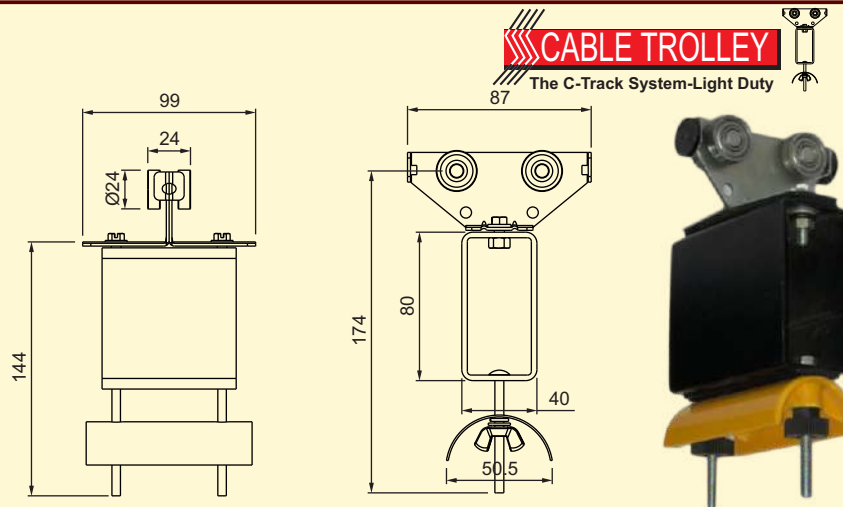


**TYPE**  
**CT30N**



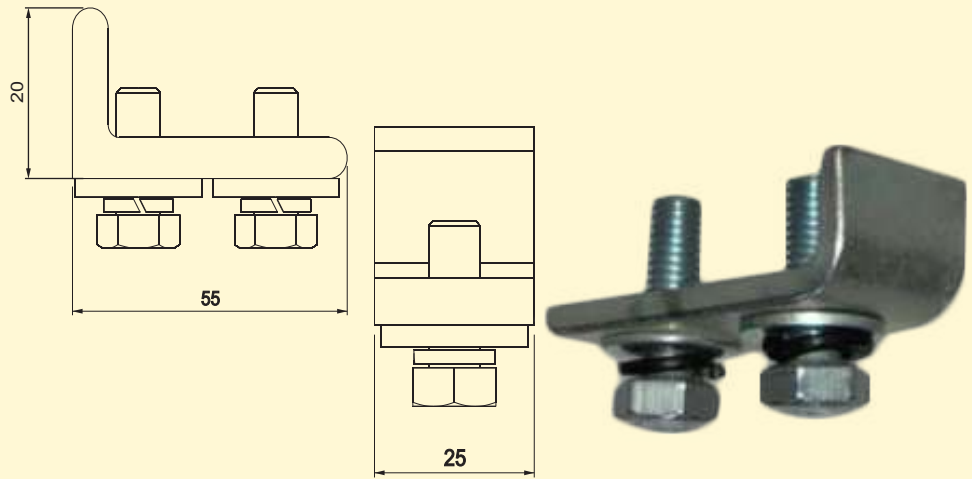
## TOWING TROLLEY

**TYPE**  
**TT30**



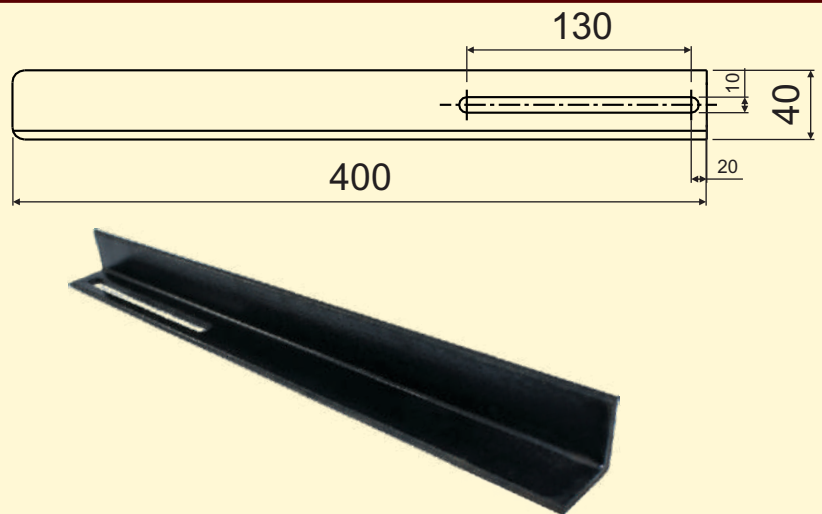
## END STOP

**TYPE**  
**EC30**



## WEB BRACKET

**TYPE**  
**WB**

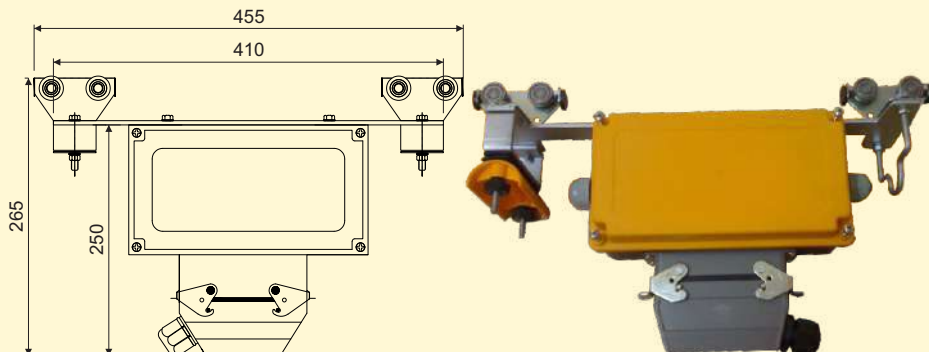




## PENDANT TROLLEY 24 PIN

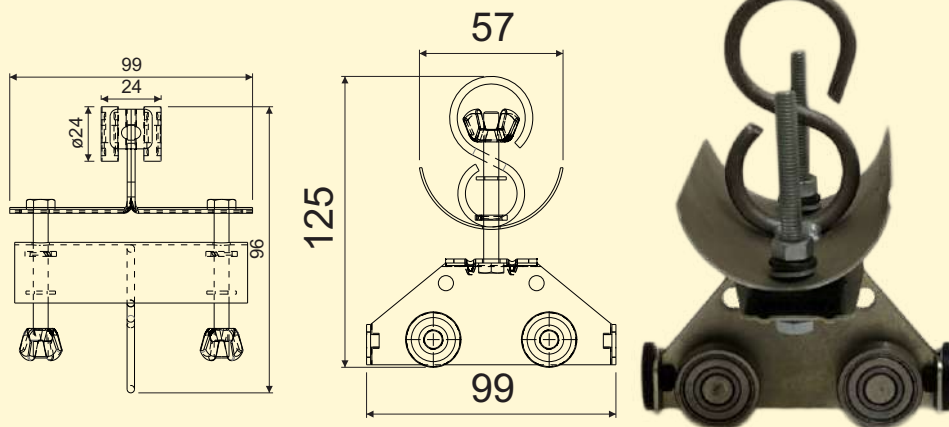


**TYPE**  
**PT30-24P**



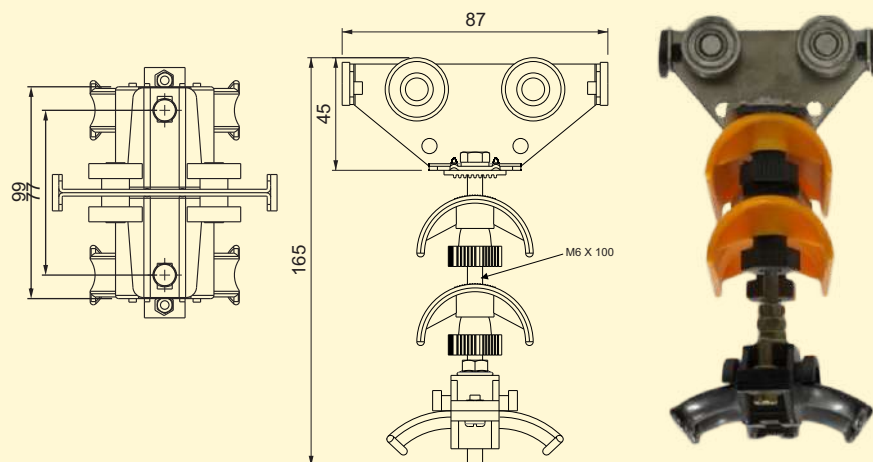
## PENDANT TROLLEY

**TYPE**  
**PT30**



## DOUBLE DECKER TROLLEY

**TYPE**  
**DDT30**

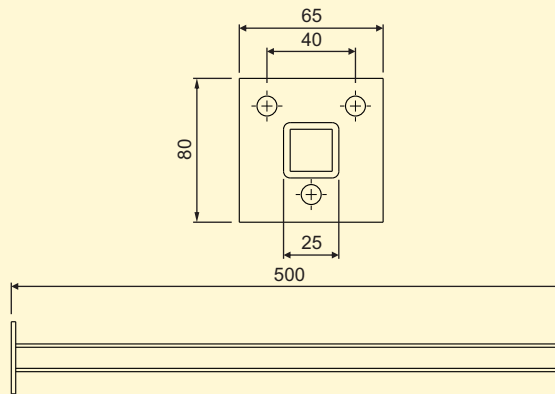




## TOWING ARM

TYPE

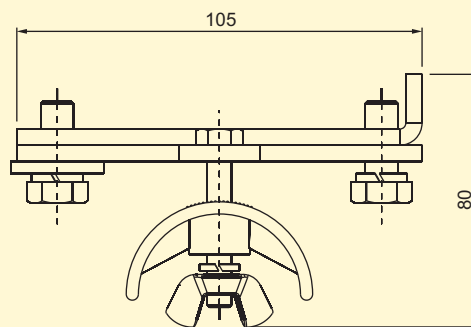
TA30



## FIXED TROLLEY/ STARTING TROLLEY

TYPE

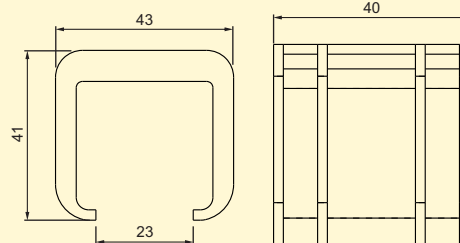
FT30



## CABLE SUPPORT

TYPE

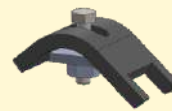
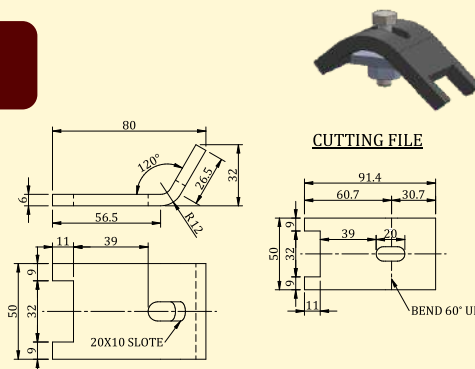
CS30



## BEAM CLAMP

TYPE

BC30



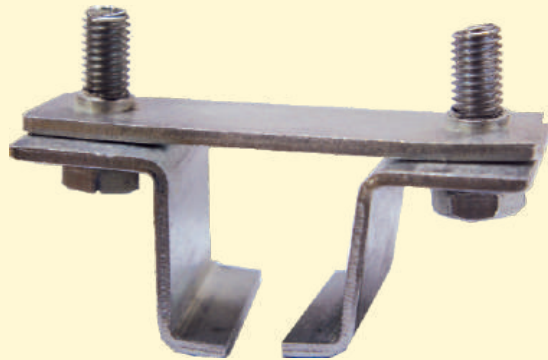
Note : Includes locking Clamp/Inner block and bolt.

# CABLE TROLLEY

The C-Track System-Light Duty



Page 8 of 8



H. O. Unit - I : C-15/16, Nand Jyot Industrial Estate, Andheri-Kurla Road, Mumbai - 400072 ,  
Tel : (022) 42469700-30  
E-mail : sales@socgroup.in

Unit - II: Plot No. 4912, G. I. D. C., Phase IV, Vatva, Ahmedabad - 382445  
Tel.: (079) 68169700/702/712  
E-mail : enquiry2@socgroup.in

Visit us at :  
[www.speedocontrols.com](http://www.speedocontrols.com)  
[www.socremote.com](http://www.socremote.com)  
[www.socjoystick.com](http://www.socjoystick.com)

**SPEED-O-CONTROLS PVT. LTD.**



**INSULATED CONDUCTOR BARS**

V5

14/08/24