

JCQ-SQ MULTI-AXIS JOYSTICK CONTROLLER



JCQ-SQ series Industrial multi-axis joystick controller is mainly used in hydraulic proportional control, variable frequency motor control, remote control or electro-hydraulic applications such as Crane, Forklift, Aerial work platforms, Hoist, Civil engineering, Rotary table (drilling rig), trucks, Mobile hydraulics, Shield tunneling machine, marine, Construction machinery, Cabin vehicles, Military vehicles, military robotics, Precision machine tools, Material handling equipment etc.

TECHNICAL DATA

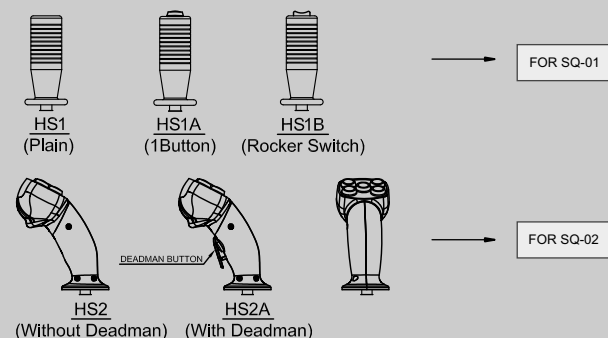
| | | |
|-----------------------|----------------------|----------------------|
| JOYSTICK MODEL | JCQ-SQ-01 | JCQ-SQ-02 |
| NUMBER OF AXIS | SINGLE / DUAL | SINGLE / DUAL |
| POWER SUPPLY VOLTAGE | 24VDC | 24VDC |
| NO OF STEP | STEPLESS | STEPLESS |
| SPRING RETURN | CONFIGURABLE | CONFIGURABLE |
| DEADMAN BUTTON | CONFIGURABLE | CONFIGURABLE |
| MECHANICAL ANGLE | ±30° (POTENTIOMETER) | ±30° (POTENTIOMETER) |
| MECHANICAL LIFE | 5 Million | 5 Million |
| OPERATING TEMPERATURE | -40°C TO +80°C | -40°C TO +80°C |
| DEGREE OF PROTECTION | IP-64 | IP-64 |

| Basic Unit | Joystick Controller | JCQ-SQ 01 | V1 | HS 1 | 5 | 125 |
|------------|---------------------|-----------|----|------|---|-----|
| JCQ-SQ | 01 (SINGLE AXIS) | | | | | |
| JCQ-SQ | 02 (SINGLE AXIS) | | | | | |
| JCQ-SQ | 01D (DUAL AXIS) | | | | | |
| JCQ-SQ | 02D (DUAL AXIS) | | | | | |

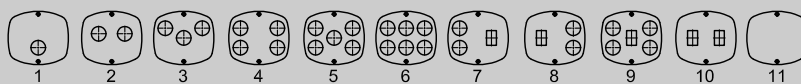
Output signal analog

| | |
|----|-------------------|
| V1 | +5V...0...+5V |
| V2 | +10V...0...+10V |
| V3 | 0...2.5...+5V |
| V4 | 0...5V...10V |
| V5 | -5V...0...+5V |
| V6 | -10V...0...+10V |
| II | 20mA...4mA...20mA |

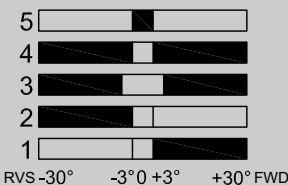
Handle



Button style for HS 2 handle



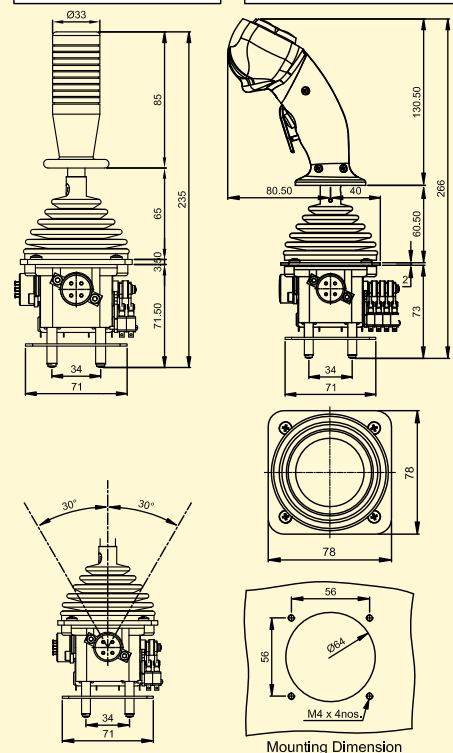
Directional switch signal closed position



Model: JCQ-SQ01



Model: JCQ-SQ02



H. O. Unit - I : C-15/16, Nand Jyot Industrial Estate, Andheri-Kurla Road, Mumbai - 400072, Tel : (022) 42469700/730 E-mail : sales@socgroup.in

Unit - II : Plot No. 4912, G. I. D. C., Phase IV, Vatva, Ahmedabad - 382445 Tel.: (079) 68169700/702/712 E-mail : enquiry2@socgroup.in

Visit us at : www.speedocontrols.com www.socremote.com www.socjoystick.com

SPEED-O-CONTROLS PVT. LTD.

INDUSTRIAL JOYSTICK V5

CRANE CONTROL GEAR



POWER DISTRIBUTION



RADIO REMOTE CONTROLS



JOYSTICK CONTROLLER



FLAMEPROOF PRODUCTS



OTHER ELECTRONICS



“Our Customer do not buy products. They buy the benefits that our products provides.”

H. O. Unit -I : C-15/16, Nand Jyot,
Industrial Estate, Andheri-Kurla, Road,
Mumbai - 400072 ,
Tel : (022) 42469700-730,
E-mail : sales@socgroup.in

Visit us at :
www.speedocontrols.com
www.socremote.com

Unit - II: Plot No. 4912, G. I. D. C.,
Phase IV, Vatva,
Ahmedabad - 382445
Tel.: (079) 68169700/702/712,
E-mail : enquiry2@socgroup.in