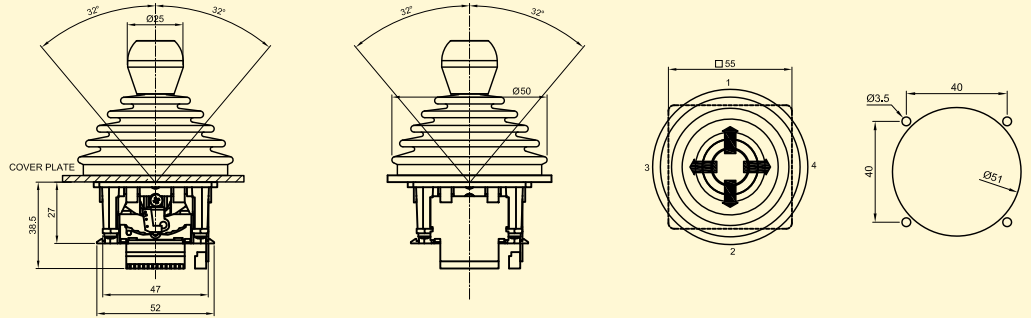


JOYSTICK CONTROLLERS (JRR-SERIES)

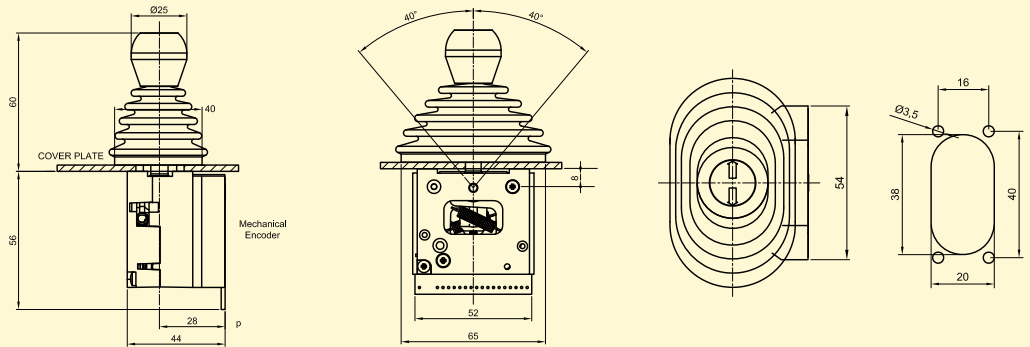


The Joystick controller JRR Series is a robust switching device with Single axis & Dual axis for controlling sophisticated electronic devices like wireless remote controls and electro-hydraulic machinery. Due to its modular design, this control unit can be used universally. The Integrated sensor system has signal and potentiometer tracks in conductive plastic technology.

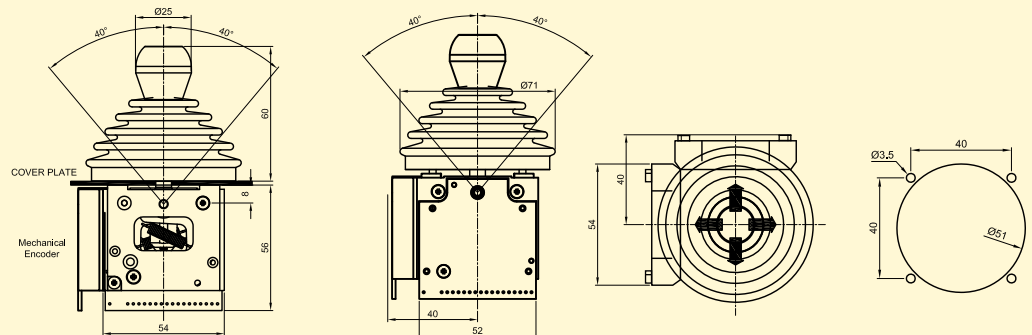
JRR-4/4 Dual Axis Joystick with upto 4 Step Digital Output/Analog Output



JRR-6 Single Axis Joystick with upto 6 Step Digital Output/Analog Output



JRR-6/6D Dual Axis Joystick with upto 6 Step Digital Output/Analog Output with Deadman Button



JOYSTICK MODEL	JRR-4	JRR-6	JRR-6/6	JRR-6/6D
NUMBER OF AXIS	2	1	2	2
SPRING RETURN	YES	YES	YES	YES
NO OF STEPS	4	6	6	6
DIGITAL OUTPUT	4	6	6	6
POTENTIOMETRIC OUTPUT	2 X 5 k ohm potentiometric Track, 1mA Max	2 X 10 k ohm potentiometric Track, 1mA Max	2 X 10 k ohm potentiometric Track, 1mA Max	2 X 10 k ohm potentiometric Track, 1mA Max
MECHANICAL LIFE	3 Million Cycles	6 Million Cycles	6 Million Cycles	6 Million Cycles
OPERATING TEMPERATURE	-40° C to + 85° C	-40° C to + 85° C	-40° C to + 85° C	-40° C to + 85° C
DEGREE OF PROTECTION	IP-65	IP-65	IP-65	IP-65
DEADMAN BUTTON	NA	NA	NA	YES

H. O. Unit - I : C-15/16, Nand Jyot Industrial Estate, Andheri-Kurla Road, Mumbai - 400072,
Tel : (022) 42469700/730
E-mail : sales@socgroup.in

Unit - II : Plot No. 4912, G. I. D. C., Phase IV, Vatva, Ahmedabad - 382445
Tel.: (079) 68169700/702/712
E-mail : enquiry2@socgroup.in

Visit us at :
www.speedocontrols.com
www.socremote.com
www.socjoystick.com

SPEED-O-CONTROLS PVT. LTD.

INDUSTRIAL JOYSTICK V5