

Universal Master Controller



Introduction

Twin Master Controller with one universal handle allows a crane operator to control both bridge & trolley motions with one handle. Simultaneous operation of bridge & trolley motions provide for greater spotting accuracy and faster movement of loads. The handle of joystick can be moved into any quadrant and any position. Universal controllers are also used for hoist/grab motion. Master Controllers are coupled with universal joint for operation of controller individually/jointly to get the desired motion operation.

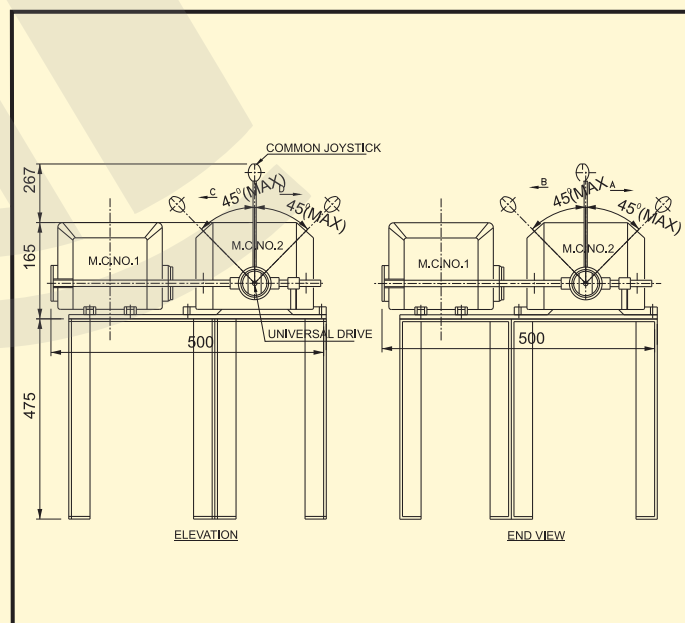
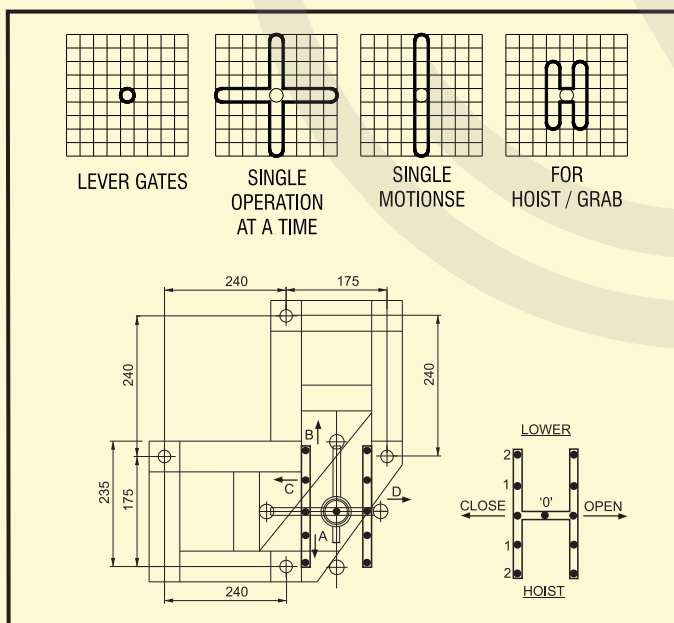


Note :-

- 1) Master Controller no. 1 operates in the direction- 'a' & 'b' 2
- 2) Master Controller no. 2 operates in the direction- 'c' & 'd'
- 3) All angles are 40 x 40 x 5.
- 4) No. of notches 4(max)
- 5) Max. No. of cams per controller-16.
- 6) No. of cable entries
 - a) Dia. 20-2 nos.
 - b) Dia. 26-2 nos.

Technical Data

Body Material	Al. Die Cast
Contact Material	Single Cadmium
Contact	Single Bracket
No. of Contact	16 per Controller (max)
Contact Rating	10/40 Amps



H. O. Unit - I : C-15/16, Nand Jyot Industrial Estate, Andheri-Kurla Road, Mumbai - 400072 ,
Tel : (022) 42469700/730
E-mail : sales@socgroup.in

Unit - II: Plot No. 4912, G. I. D. C., Phase IV, Vatva, Ahmedabad - 382445
Tel.: (079) 68169700/702/712
E-mail : enquiry2@socgroup.in

Visit us at :
www.speedocontrols.com
www.socremote.com
www.socjoystick.com

SPEED-O-CONTROLS PVT. LTD.
CRANE CONTROL GEAR