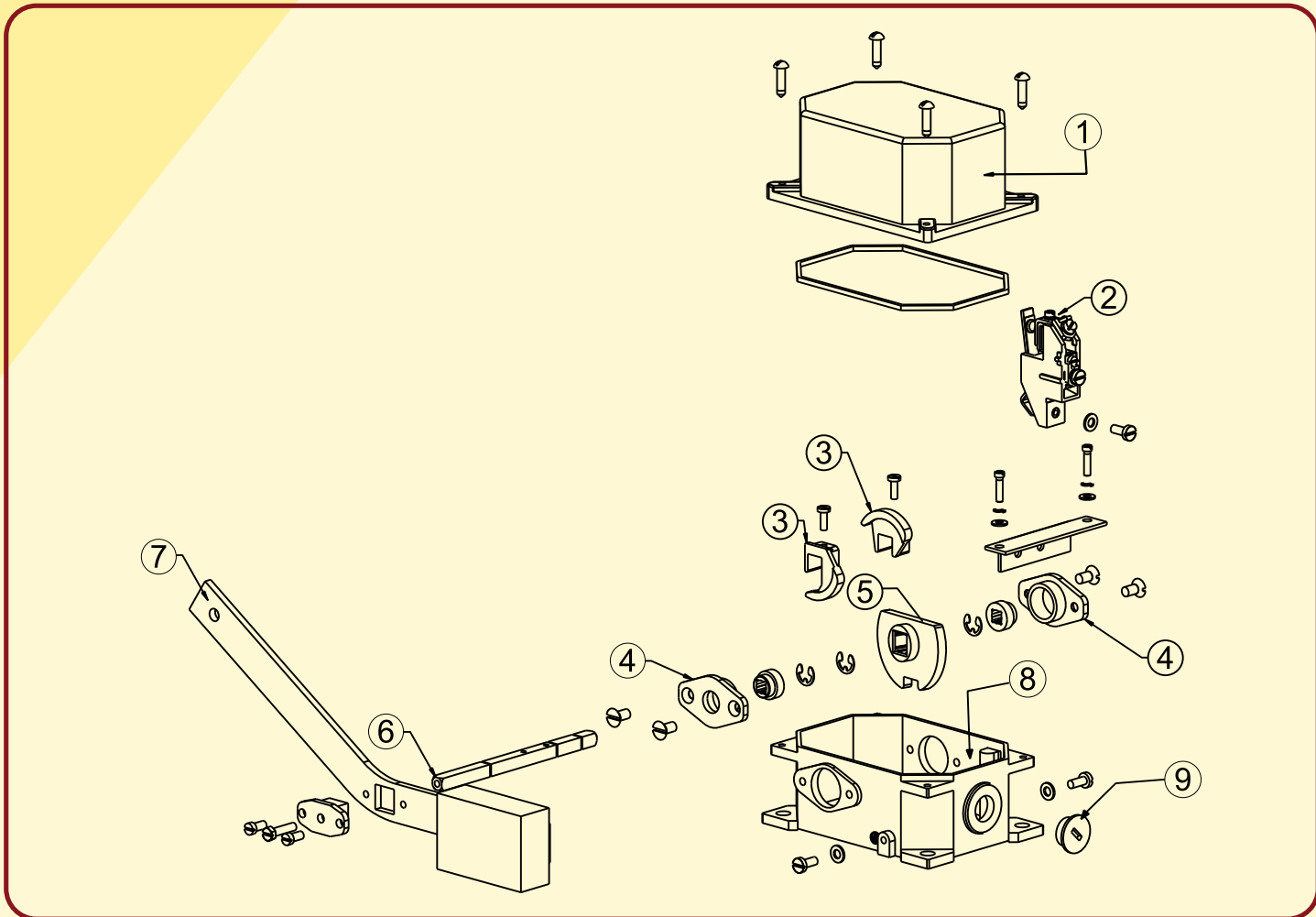


LIMIT SWITCHES SPARE COMPONENTS



BLOW UP FOR COUNTER WEIGHT LIMIT SWITCHES(40AMPS)



SPARES FOR COUNTER WEIGHT LIMIT SWITCHES(40AMPS)

<p>1</p>  <p>TOP COVER (40CWTC)</p>	<p>2</p>  <p>CONTACT ELEMENT ASSEMBLY (40CWCA)</p>	<p>3</p>  <p>CAMS (40CWCM)</p>	<p>4</p>  <p>START/END BUSH (40CWSEB/40CWSEB)</p>	
<p>5</p>  <p>STOPPER (40CWST)</p>	<p>6</p>  <p>CAM SHAFT (40CWCS)</p>	<p>7</p>  <p>COUNTER WEIGHT WITH WIRE ROPE (40CWCWR)</p>	<p>8</p>  <p>BOTTOM COVER (40CWBC)</p>	<p>9</p>  <p>CABLE GLAND BUTTON (40CWCGB)</p>

H. O. Unit - I : C-15/16, Nand Jyot Industrial Estate, Andheri-Kurla Road, Mumbai - 400072 ,
Tel : (022) 42469700/730
E-mail : sales@socgroup.in

Unit - II: Plot No. 4912, G. I. D. C., Phase IV, Vatva, Ahmedabad - 382445
Tel.: (079) 68169700/702/712
E-mail : enquiry2@socgroup.in

Visit us at :
www.speedocontrols.com
www.socremote.com
www.socjoystick.com

**SPEED-O-CONTROLS
PVT. LTD.** 
CRANE CONTROL GEAR V5