

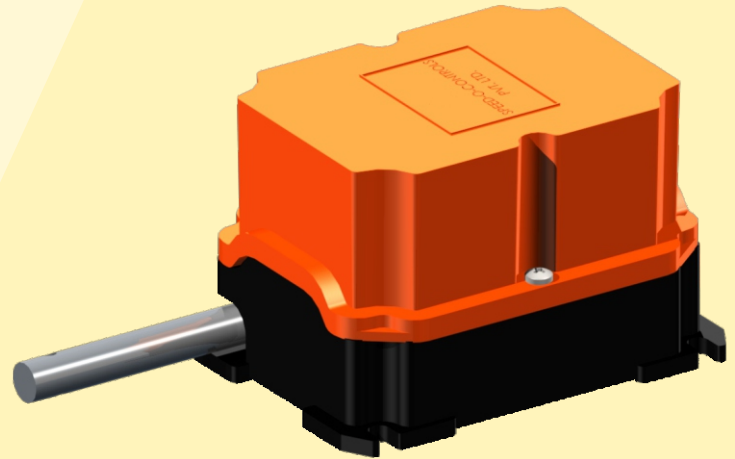


INTRODUCTION

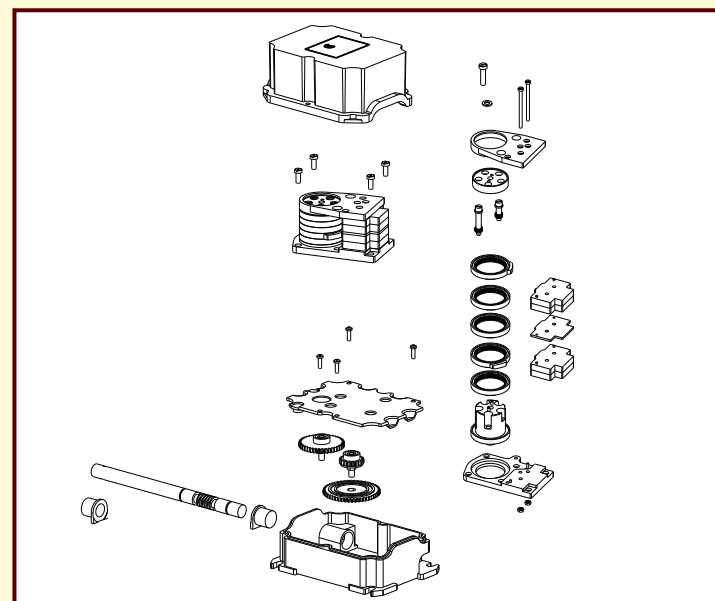
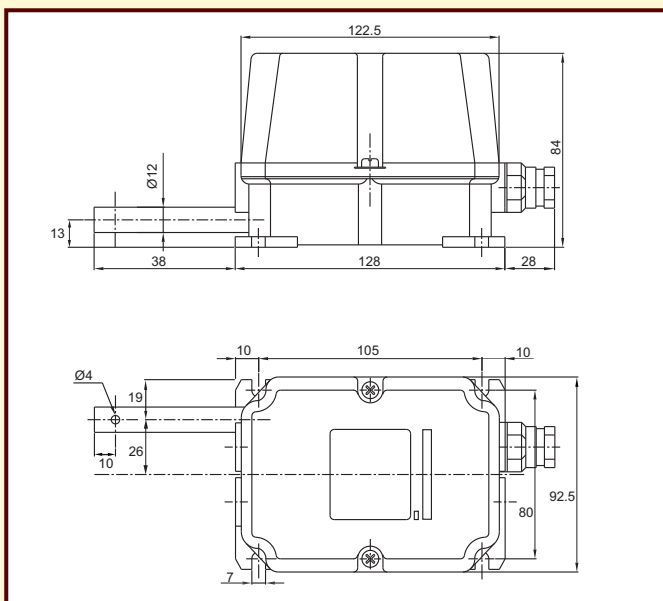
Worm Drive Limit Switches are suitable for use on reversing drives, such as Hoists, Cranes, Winches, Rolling Mills, Theaters, Coke Ovens etc. The driving motion is transmitted by worm gear. All gears and hubs are made of low wear thermoplastic. The rotational movements are transmitted to switches by adjustable cams.

TECHNICAL DATA :

BODY MATERIAL	Black GFN
COVER MATERIAL YELLOW	Impact-proof Thermo-Plastic
PROTECTION DEGREE	IP-55 (IS/IEC:60529(2001))
OPERATING TEMPERATURE	- 25°C to 70°C
MOUNTING POSITION	Any position mounting
GEAR RATIOS	1:12.5, 1:25, 1:50, 1:100, 1:200 & 1:400
DRIVE	Worm Screw
CABLE ENTRIES	Twin, 3/4 " BS Conduit
INPUT SPEED	1200 RPM, Maximum
CONTACT MATERIAL	Double break, Silver Cadmium (snap)
WIRE CONNECTION	Screw terminal contact
RATED VOLTAGE	up to 600 V AC
THERMAL TEST CURRENT	10 A
NO. OF CONTACTS	2 NC
MECHANICAL / ELECTRICAL LIFE	1 Million Operations



RATIOS	USEFUL ROTATIONS	2 CONTACTS MODEL 2NC
1:12.5	11.6	FG - 12.5 P2
1:25	23.2	FG - 25 P2
1:50	46.5	FG - 50 P2
1:100	93	FG - 100 P2
1:200	185	FG - 200 P2
1:400	372	FG - 400 P2



H. O. Unit - I : C-15/16, Nand Jyot Industrial Estate, Andheri-Kurla Road, Mumbai - 400072 ,
Tel : (022) 42469700/730
E-mail : sales@socgroup.in

Unit - II: Plot No. 4912, G. I. D. C., Phase IV, Vatva, Ahmedabad - 382445
Tel.: (079) 68169700/702/712
E-mail : enquiry2@socgroup.in

Visit us at :
www.speedocontrols.com
www.socremote.com
www.socjoystick.com

SPEED-O-CONTROLS PVT. LTD.
CRANE CONTROL GEAR V5