

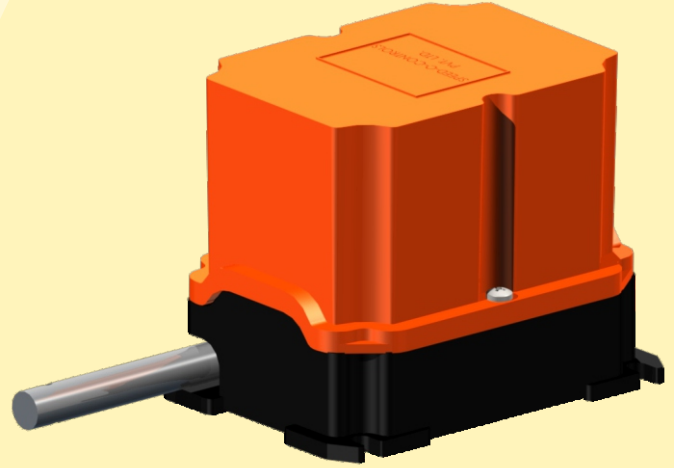


INTRODUCTION

Worm Drive Limit Switches are suitable for use on reversing drives, such as Hoists, Cranes, Winches, Rolling Mills, Theaters, Coke Ovens etc. The driving motion is transmitted by worm gear. All gears and hubs are made of low wear thermoplastic. The rotational movements are transmitted to switches by adjustable cams.

TECHNICAL DATA :

BODY MATERIAL	Black GFN
COVER MATERIAL YELLOW	Impact-proof Thermo-Plastic
PROTECTION DEGREE	IP-55 (IS/IEC 60529:2001)
OPERATING TEMPERATURE	- 25°C to 70°C
MOUNTING POSITION	Any position mounting
GEAR RATIOS	1:12.5, 1:25, 1:50, 1:100, 1:200 & 1:400
DRIVE	Worm Screw
CABLE ENTRIES	Twin, 3/4 " BS Conduit
INPUT SPEED	1200 RPM, Maximum
CONTACT MATERIAL	Double break, Silver Cadmium (snap)
WIRE CONNECTION	Screw terminal contact
RATED VOLTAGE	up to 600 V AC
THERMAL TEST CURRENT	10 A
NO. OF CONTACTS	4NO+4NC
MECHANICAL / ELECTRICAL LIFE	1 Million Operations



RATIOS	USEFUL ROTATIONS	4 CONTACTS MODEL 4NO + 4NC
1 :12.5	11.6	FG - 12.5 P4
1 :25	23.2	FG - 25 P4
1 :50	46.5	FG - 50 P4
1 :100	93	FG - 100 P4
1 :200	185	FG - 200 P4
1 :400	372	FG - 400 P4

