

# (FGLS)- 8 CONTACTS

Worm Drive Limit Switches



## INTRODUCTION

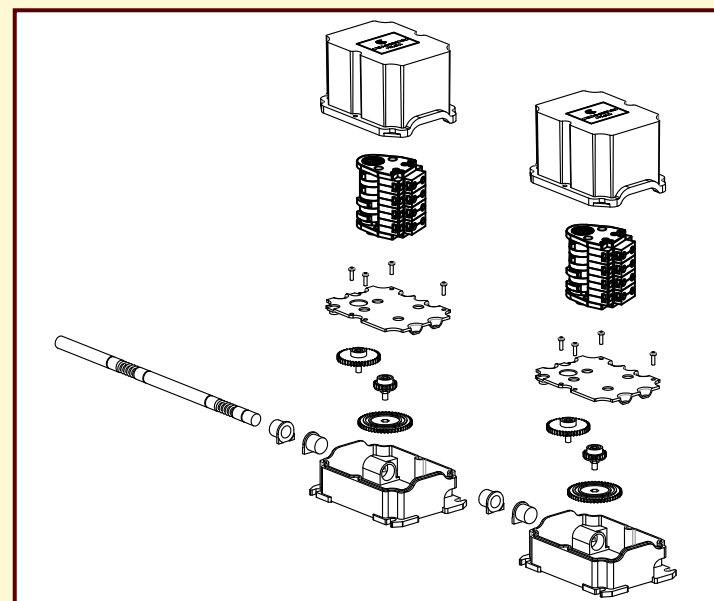
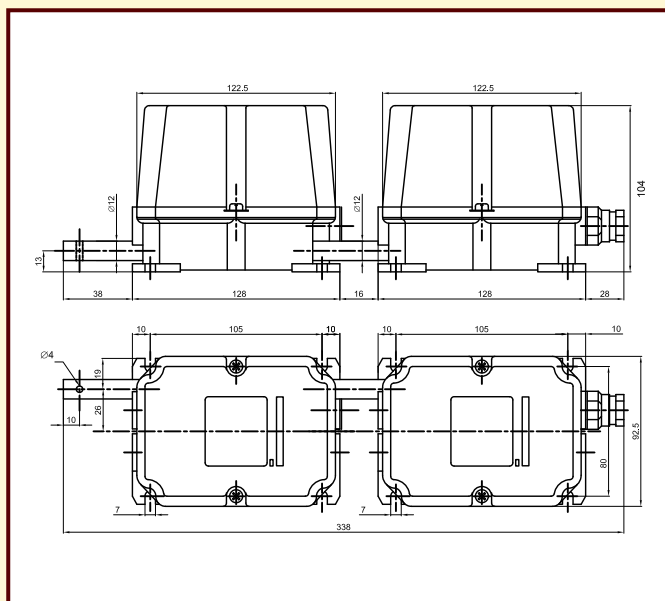
**Worm Drive Limit Switches** are suitable for use on reversing drives, such as Hoists, Cranes, Winches, Rolling Mills, Theaters, Coke Ovens etc. The driving motion is transmitted by worm gear. All gears and hubs are made of low wear thermoplastic. The rotational movements are transmitted to switches by adjustable cams.

## TECHNICAL DATA :

|                                     |  |
|-------------------------------------|--|
| <b>BODY MATERIAL</b>                | Black GFN                                |
| <b>COVER MATERIAL YELLOW</b>        | Impact-proof Thermo-Plastic              |
| <b>PROTECTION DEGREE</b>            | IP-55 (IS/IEC 60529:2001)                |
| <b>OPERATING TEMPERATURE</b>        | - 25°C to 70°C                           |
| <b>MOUNTING POSITION</b>            | Any position mounting                    |
| <b>GEAR RATIOS</b>                  | 1:12.5, 1:25, 1:50, 1:100, 1:200 & 1:400 |
| <b>DRIVE</b>                        | Worm Screw                               |
| <b>CABLE ENTRIES</b>                | Twin, 3/4 " BS Conduit                   |
| <b>INPUT SPEED</b>                  | 1200 RPM, Maximum                        |
| <b>CONTACT MATERIAL</b>             | Double break, Silver Cadmium (snap)      |
| <b>WIRE CONNECTION</b>              | Screw terminal contact                   |
| <b>RATED VOLTAGE</b>                | up to 600 V AC / 440DC                   |
| <b>THERMAL TEST CURRENT</b>         | 10 A                                     |
| <b>NO. OF CONTACTS</b>              | 8(4+4) NC / NO+NC                        |
| <b>MECHANICAL / ELECTRICAL LIFE</b> | 1 Million Operations                     |



| RATIOS  | USEFUL ROTATIONS | 8 CONTACTS MODEL 4NO + 4NC |
|---------|------------------|----------------------------|
| 1 :12.5 | 11.6             | FG - 12.5 P8               |
| 1 :25   | 23.2             | FG - 25 P8                 |
| 1 :50   | 46.5             | FG - 50 P8                 |
| 1 :100  | 93               | FG - 100 P8                |
| 1 :200  | 185              | FG - 200 P8                |
| 1 :400  | 372              | FG - 400 P8                |



H. O. Unit - I : C-15/16, Nand Jyot Industrial Estate, Andheri-Kurla Road, Mumbai - 400072 ,  
Tel : (022) 42469700/730  
E-mail : sales@socgroup.in

Unit - II: Plot No. 4912, G. I. D. C., Phase IV, Vatva, Ahmedabad - 382445  
Tel.: (079) 68169700/702/712  
E-mail : enquiry2@socgroup.in

Visit us at :  
[www.speedocontrols.com](http://www.speedocontrols.com)  
[www.socremote.com](http://www.socremote.com)  
[www.socjoystick.com](http://www.socjoystick.com)

**SPEED-O-CONTROLS PVT. LTD.**  
**CRANE CONTROL GEAR V5**