



**SPEED-O-CONTROLS
PVT. LTD.**



CRANE CONTROL SOLUTIONS

FECHRAL RESISTANCE BOX

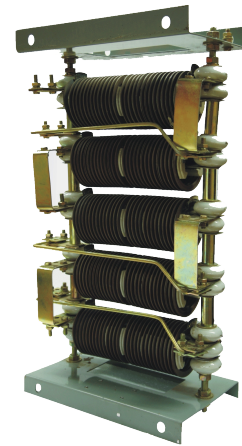


DISCOVER OUR RANGE OF RESISTANCE BOX

INDEX

**EDGE WOUND
RESISTOR FECHRAL**

[\(CLICK HERE\)](#)



**PUNCHED GRID
RESISTANCE BOX
FS 375°C**

[\(CLICK HERE\)](#)



**PUNCHED GRID
RESISTANCE BOX
2FS 375°C**

[\(CLICK HERE\)](#)



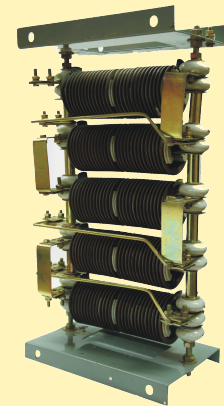
Edge Wound Resistor Fechral



[CLICK HERE FOR INDEX](#)

Introduction Resistor - ZS-15

Fechral Edge Wound Resistor are used for starting, braking or discharging in distribution system of 50Hz AC rated voltage up to 660V and DC rated voltage up to 900 V. The resistors are made up of spiral tubular type resistor element which are shock proof & unbreakable. Resistance used for steel mill duty application for cranes also used as dynamic braking resistor.

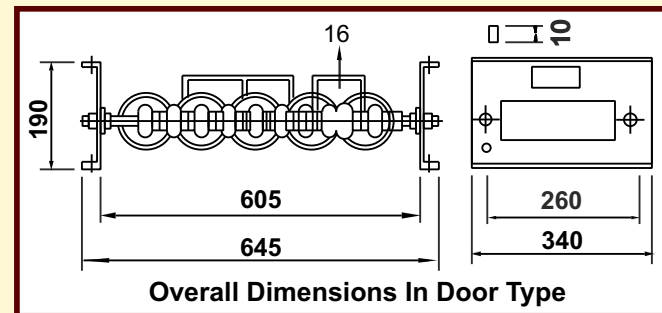


Technical Data

Dynamic Breaking Resistor

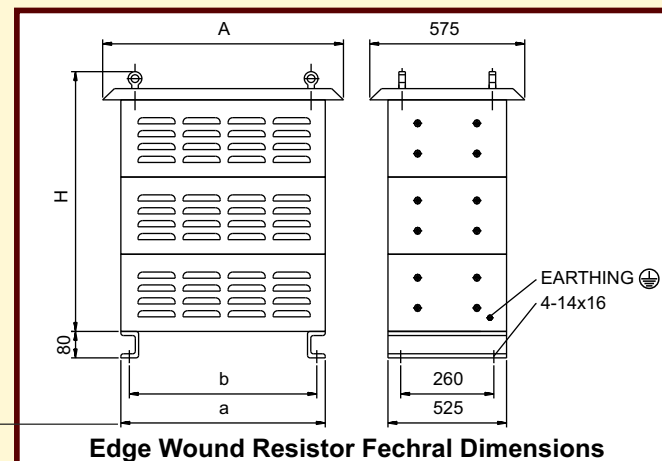
Type Of Resistor	Fechral edge Wound
Cooling	Natural Air cooled
Resistors Material	Fechral
Enclosure	Sheet Steel Painted / Galvanised
Mounting	Floor Mounting Horizontal
Cable Entry	Bottom
Protection Degree	IP-20 / IP-21 / IP-23 / IP-33.
Over Ambient Temperature	+40°C to -25°C
Current Rating	22 Amps - 500 Amps
Connections	Series / Parallel
Voltage	660 V / 900 V AC
Terminals	3/8" & 1/2"
Other Voltage	1100/3300 V on request
Average Temperature	< +35°C during 24 Hours.
Relative Humidity	Below 85% between +20°C,

Overall Dimensions In Door Type



Current Rating Chart For 375° Temperature Rise

Grid Type	Rated value (Ohms)	Current rating for various duty factors (Amps)		
		40 % ED	60 %ED	100 %ED
2ZY 8	0.04	326	284	234
2ZY 11	0.056	292	254	210
2ZY 16	0.08	232	202	166
ZY 8	0.08	163	142	117
ZY 11	0.112	146	127	105
ZY 16	0.16	116	101	83
ZY 24	0.24	98	85	70
ZY 32	0.32	82	71	59
ZY 42	0.42	70	61	50
ZY 60	0.6	59	51	43
ZY 84	0.84	50	44	36
ZY 112	1.12	44	38	32
ZY 160	1.6	36	32	26
ZY 220	2.2	30	26	22



Dimensional Details

Unit Size	A	a	b	Unit Size	A	a	b	H
Y1	710	645	605	Z1	900	850	810	280
Y2	710	645	605	Z2	900	850	810	520
Y3	710	645	605	Z3	900	850	810	780
Y4	710	645	605	Z4	900	850	810	1040
Y5	710	645	605	Z5	900	850	810	1300
Y6	710	645	605	Z6	900	850	810	1560

H. O. Unit - I : C-15/16, Nand Jyot Industrial Estate, Andheri-Kurla Road, Mumbai - 400072,
Tel : (022) 42469700/730
E-mail : sales@socgroup.in

Unit - II : Plot No. 4912, G. I. D. C., Phase IV, Vatva, Ahmedabad - 382445
Tel.: (079) 68169700/702/712
E-mail : enquiry2@socgroup.in

Visit us at :
www.speedocontrols.com
www.socremote.com
www.socjoystick.com

SPEED-O-CONTROLS PVT. LTD.
CRANE CONTROL GEAR V6

Introduction

Resistance boxes are used to add resistance to an electric motor circuit for modifying the performance characteristic of slip ring induction motors of EOT cranes, rubber mills, steel rolling mills, cement mills, power plants, conveyors, coke oven, blowers, etc. For speed control and developing starting torque with low starting currents. They are also used as Dynamic Braking Resistor for VVVF AC drives, electric loading of ac alternators, degeneration, and dynamometers. Resistors are designed to meet the requirements of both A.C. & D.C. applications.

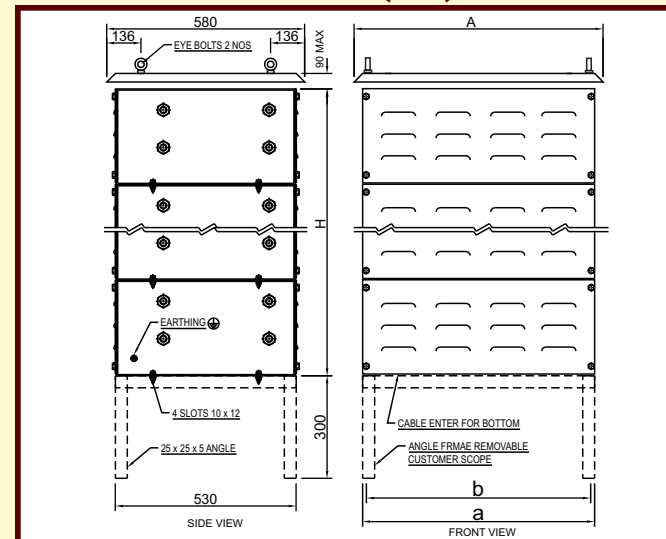
[CLICK HERE FOR INDEX](#)



Technical Data

Type Of Grid	Punched Grid
Cooling	Natural Air cooled
Resistors Material	Fechral
Enclosure	Sheet Steel (Galvanized)
Mounting	Floor Mounting Horizontal
Cable Entry	Bottom
Protection Degree	IP-20 / IP-21 / IP-23 / IP-33
Over Ambient Temperature	375° C
Current Rating	8 Amps -----3000 Amps
Connections	Series / Parallel
Voltage	600 V
Terminals	3/8"
Other Voltage	1100/3300 V on request

Resistance Boxes (FS)



Resistance Boxes

Current Rating Chart for Punched Grid Resistors for 375°C temperature rise

Grid Type	Rated Value	Current rating for various duty factors (Amps)			
		25%ED	40%ED	60%ED	100%ED
FS-10	0.015	333	244	210	176
FS-15	0.022	275	202	175	145
FS-22	0.033	225	165	143	119
FS-32	0.048	187	138	115	99
FS-46	0.070	157	114	98	83
FS-68	0.1	128	95	83	68
FS-100	0.15	106	78	66	56
FS-150	0.22	93	68	55	46
FS-220	0.33	72	54	45	38
FS-300	0.45	68	48	38	33
FS-460	0.7	49	36	31	26
FS-720	0.05	38	30	25	20
FS-1000	1.5	35	25	21	19
FS-1500	2.4	28	20	18	15

Resistance Boxes (FS)

Dimension Details of Punched Fechral Resistance Boxes

Unit Size	A	a	b	Unit Size	A	a	b	H
A1	430	380	360	B1	580	530	510	280
A2	430	380	360	B2	580	530	510	560
C1	730	680	650	D1	880	830	805	280
C2	730	680	650	D2	880	830	805	560
C3	730	680	650	D3	880	830	805	840
C4	730	680	650	D4	880	830	805	1120
C5	730	680	650	D5	880	830	805	1400
C6	730	680	650	D6	880	830	805	1680

Introduction

Resistance boxes are used to add resistance to an electric motor circuit for modifying the performance characteristic of slip ring induction motors of EOT cranes, rubber mills, steel rolling mills, cement mills, power plants, conveyors, coke oven, blowers, etc. For speed control and developing starting torque with low starting currents. They are also used as Dynamic Braking Resistor for VVVF AC drives, electric loading of ac alternators, degeneration, and dynamometers. Resistors are designed to meet the requirements of both A.C. & D.C. applications. .

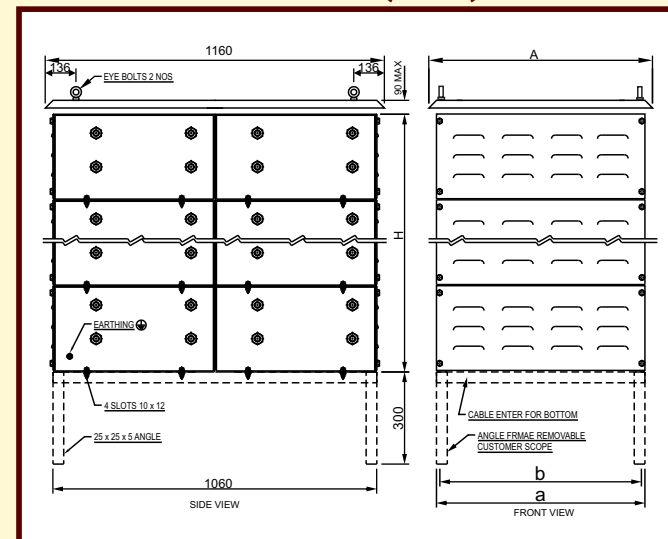
[CLICK HERE FOR INDEX](#)



Technical Data

Type Of Grid	Punched Grid
Cooling	Natural Air cooled
Resistors Material	Fechral
Enclosure	Sheet Steel (Galvanized)
Mounting	Floor Mounting Horizontal
Cable Entry	Bottom
Protection Degree	IP-20 / IP-21 / IP-23 / IP-33
Over Ambient Temperature	375° C
Current Rating	8 Amps -----3000 Amps
Connections	Series / Parallel
Voltage	600 V
Terminals	3/8"
Other Voltage	1100/3300 V on request

Resistance Boxes (2FS)



Resistance Boxes

Current Rating Chart for Punched Grid Resistors for 375°C temperature rise

Grid Type	Rated Value (Ohms)	Current rating for various duty factors (Amps)			
		20%ED	40%ED	60%ED	100%ED
2FS-10	0.005	666	488	420	352
2FS-15	0.0075	550	404	350	290
2FS-22	0.011	450	330	286	238
2FS-32	0.016	374	276	230	198
2FS-46	0.023	314	228	196	166
2FS-68	0.034	256	190	166	136

Resistance Boxes (FS)

Dimension Details of Punched Fechral Resistance Boxes

Unit Size	A	a	b	Unit Size	A	a	b	H
A1	430	380	360	B1	580	530	510	280
A2	430	380	360	B2	580	530	510	560
C1	730	680	650	D1	880	830	805	280
C2	730	680	650	D2	880	830	805	560
C3	730	680	650	D3	880	830	805	840
C4	730	680	650	D4	880	830	805	1120
C5	730	680	650	D5	880	830	805	1400
C6	730	680	650	D6	880	830	805	1680

CRANE CONTROL GEAR



POWER DISTRIBUTION



RADIO REMOTE CONTROLS



JOYSTICK CONTROLLER



FLAMEPROOF PRODUCTS



OTHER ELECTRONICS



“Our Customer do not buy products. They buy the benefits that our products provides.”

H. O. Unit -I : C-15/16, Nand Jyot,
Industrial Estate, Andheri-Kurla, Road,
Mumbai - 400072 ,
Tel : (022) 42469700-730,
E-mail : sales@socgroup.in

Visit us at :
www.speedocontrols.com
www.socremote.com
www.socjoystick.com

Unit - II: Plot No. 4912, G. I. D. C.,
Phase IV, Vatva,
Ahmedabad - 382445
Tel.: (079) 68169700/702/712,
E-mail : enquiry2@socgroup.in