



**SPEED-O-CONTROLS
PVT. LTD.**



FLAMEPROOF EQUIPMENTS

**FLAMEPROOF
RADIO REMOTE CONTROLS
GAS GROUP (IIC)**



DISCOVER OUR RANGE OF FLAMEPROOF FOR CRANES



INDEX

FLAMEPROOF RECEIVER IIC

[\(CLICK HERE\)](#)



**INTRINSICALLY SAFE
SAMRAT - I**

[\(CLICK HERE\)](#)



**INTRINSICALLY SAFE
SAMRAT - II**

[\(CLICK HERE\)](#)



**INTRINSICALLY SAFE
IMPACT - 302**

[\(CLICK HERE\)](#)



**INTRINSICALLY SAFE
IMPACT - 502**

[\(CLICK HERE\)](#)



Flame Proof IIC Receiver For Remote Control

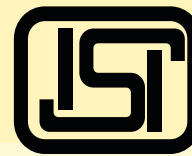


Introduction

Flame-proof Enclosure of receiver are radio remote control system used for EOT cranes. Designed for operations in hazardous environment where explosive gases / vapors are present. Enclosure is designed to meet the requirements as specified in IS/IEC-60079-0-2017 & IS/IEC-60079-1-2014. The enclosure is certified by Karandikar Laboratories Pvt. Ltd. use in Gas Group IIC.

The receiver of the system contains 18 potential free contact relays (16 + Start + Alarm) which can be configured as per the requirement. The receiver also contains a feedback module which continuously check the Receiver status via the LED on the receiver.

[CLICK HERE FOR INDEX](#)



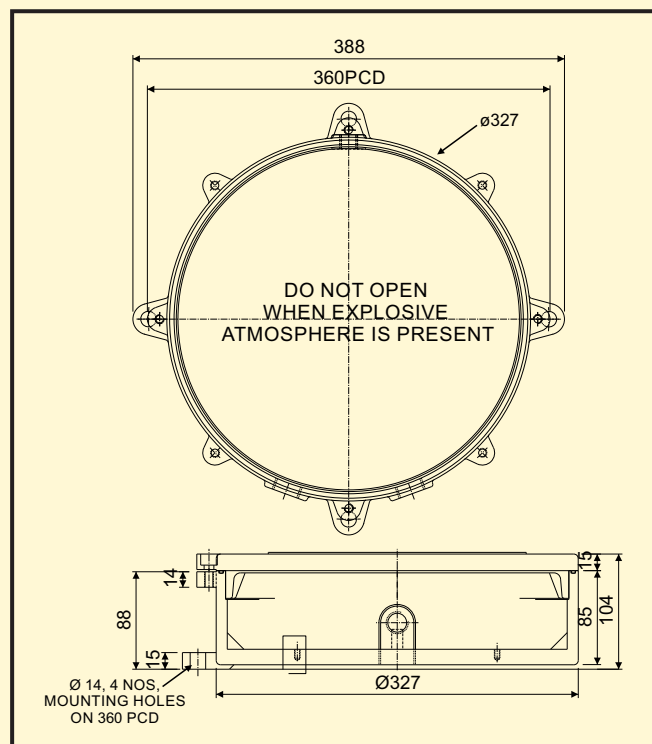
Receiver

RF Sensitivity	0.6mV
No. of Potential Free Contacts	16 + Start/Stop + Alarm
Relays	Resistive Load : 5A at 230VAC or 30VDC
Power Requirements	110VAC/220VAC
Display	By means of LEDs
Maximum Consumption	100VA
Dimensions	405(H)x345(B)x127(W)mm
Weight	24 Kg

Technical Specification

Number of commands	12 + Start/Stop + Alarm
Hamming Distance	>=6
Response Time	<24ms
Active Emergency Response Time	<24ms
Operating Range	100 meters

General Arrangement Drawing



Technical Data

Explosive Atmospheres Part I Equipment Protection By Flameproof Enclosure "d"	
Product	Receiver for Radio Remote Control
Zone	Zone I, Gas group IIC
Model	FLP-RRC -IIC
Voltage	220 AC Max
Current	5A AC Max
Ambient temperature	T4
Enclosure	S.G. Iron Casting
Ingress Protection	IP-54 as per IS/IEC-60529-2001
Cable Entry	1 x M25x1.5P 1 x M20x1.5P
IS	IS/IEC-60079-0-2017 IS/IEC-60079-1-2014
Certificate No FLP Enclosure	KLPL/Ex/18-006 Date : 12-01-2021 Karandikar Laboratories Pvt. Ltd
BIS License No.	CM/L-7200208195 DATE - 20-07-2021
PESO Certificate No	A/P/HQ/GJ/104/5969/P529363/4 DATE - 09/11/2022

H. O. Unit - I : C-15/16, Nand Jyot Industrial Estate, Andheri-Kurla Road, Mumbai - 400072 ,
Tel : (022) 42469700/730
E-mail : sales@socgroup.in

Unit - II: Plot No. 4912, G. I. D. C., Phase IV, Vatva, Ahmedabad - 382445
Tel.: (079) 68169700/702/712
E-mail : enquiry2@socgroup.in

Visit us at :
www.speedocontrols.com
www.socremote.com
www.socjoystick.com

SPEED-O-CONTROLS PVT. LTD.
FLAMEPROOF EQUIPMENTS

SAMRAT - I (INTRINSICALLY SAFE)



Introduction

Radio remote control transmitter hand held upto 8 push buttons. Model **SAMRAT-I** Works on 3 Volts batteries suitable for Intrinsic Safety in accordance to standard IS/IEC 60079-0-2011 & IS/IEC 60079-11-2013 suitable for gas groups IIA & IIB and IIC atmosphere only.

[CLICK HERE FOR INDEX](#)



Technical Specification

Actuators in SAMRAT-I Transmitter	8 Single/Double speed push buttons +Start/Alarm+Stop
Operating Range	100 meters
Operating Frequency	433-434 Mhz
Channel Spacing	25 KHz
Modulation	FM (4GFSK/2GFSK)
RF Power Output	10mW
Coding Key	FFSK
Power Consumption	<15mA
Standby Power Consumption	<1 mA
Battery Capacity	2 noc, AA size Alkaline, 3.0V
Operating Temperature	-20° C to + 70° C
Weight	250gms (without battery)
Dimensions (mm)	165 (H) X 75(W) X 50(B)
Ingress Protection	IP 54 IS /IEC 60079:2001
Zone	ZONE 1, Gas Groups IIC
Enclosure	Thermoplast (Glass Filled Nylon)
Standard	IS/IEC 60079-0 :2011 IS/IEC 60079-11 :2013 IS/IES 600529-2014
Certificate No	CIMFR / TC / P/ 264 DATE- 01-03-2024
PESO Certificate No	A/P/HQ/GJ/104/5699 (P455000/2) DATE- 28/03/2025
Name	Central Institute of Mining & Fuel Research, Dhanbad
BIS Licence No	CM/L-72000208195 DATE - 20/07/2021

Features

Communication	Unidirectional & Bidirectional configuration based on requirement
Emergency Stop	2 NC contacts for EMS (EN-954-1 safety Standard)
Range Adjustment	Operating Range Adjustable from 20m, 30m.. Upto 100m standard 100m
Close Start	Only Start functional adjustable from 20m,30m...upto 100m (Standard 100m)
Pairing	Any transmitter to Any receiver pairing facility available
Indications	LED Indication for Battery Low, Transmission and Error status
ID Code	Unique ID Code to avoid interference
Antenna	Internal Antenna on Transmitter
Keyboard Locking	Transmitter Keyboard Locking Provision on request
Relay Assignment	Configurable Relay assignment available
Interlocking	Configurable Relay Interlocks available
Idle Time	Configurable Idle Time out (Standard 60 min)

Introduction

Radio remote control transmitter hand held upto 12 push buttons. Model **SAMRAT-II** Works on 3 Volts batteries suitable for Intrinsic Safety in accordance to standard IS/IEC 60079-0-2011 & IS/IEC 60079-11-2013 suitable for gas groups IIA & IIB and IIC atmosphere only.

[CLICK HERE FOR INDEX](#)



Technical Specification

Actuators in SAMRAT-II Transmitter	12 Double speed push buttons +Start/Alarm+Stop
Operating Range	100 meters
Operating Frequency	433-434 Mhz
Channel Spacing	25 KHz
Modulation	FM (4GFSK/2GFSK)
RF Power Output	10mW
Coding Key	FFSK
Power Consumption	<15mA
Standby Power Consumption	<1 mA
Battery Capacity	2 noc, AA size Alkaline, 3.0V
Operating Temperature	-20°C to + 70°C
Weight	275gms (without battery)
Dimensions (mm)	202 (H) X 60(W) X 50(B)
Ingress Protection	IP 54 IS /IEC 60079:2001
Zone	ZONE 1, Gas Groups IIC
Enclosure	Thermoplast (Glass Filled Nylon)
Standard	IS/IEC 60079-0 :2013 IS/IEC 60079-11 :2011 IS/IES 60079-1 :2007
Certificate No	IN/CIMFR / TR24 / R/ 2811 DATE-01/03/2024
PESO Certificate No	A/P/HQ/GJ/104/5699 (P455000/2) DATE- 28/03/2025
Name	Central Institute of Mining & Fuel Research, Dhanbad
BIS Licence No	CM/L-7200154909 DATE - 20/07/2021

Features

Communication	Unidirectional & Bidirectional configuration based on requirement
Emergency Stop	2 NC contacts for EMS (EN-954-1 safety Standard)
Range Adjustment	Operating Range Adjustable from 20m, 30m.. Upto 100m standard 100m
Close Start	Only Start functional adjustable from 20 m,30m,...upto 100m (Standard 100m)
Pairing	Any transmitter to Any receiver pairing facility available
Indications	LED Indication for Battery Low, Transmission and Error status
ID Code	Unique ID Code to avoid interference
Antenna	Internal Antenna on Transmitter
Keyboard Locking	Transmitter Keyboard Locking Provision on request
Relay Assignment	Configurable Relay assignment available
Interlocking	Configurable Relay Interlocks available
Idle Time	Configurable Idle Time out (Standard 60 min)

IMPACT - 302 (INTRINSICALLY SAFE)



Introduction

Radio remote control transmitter hand held upto 6 push buttons. Model **IMPACT - 302** Works on 3 Volts batteries suitable for Intrinsic Safety in accordance to standard IS/IEC 60079-0-2011 & IS/IEC 60079-11-2013 suitable for gas groups IIA & IIB and IIC atmosphere only.

[CLICK HERE FOR INDEX](#)



Technical Specification

Actuators in IMPACT - 302 Transmitter	6 Double speed push buttons +Start/Alarm+Stop
Operating Range	100 meters
Operating Frequency	433-434 Mhz
Channel Spacing	25 KHz
Modulation	FM (4GFSK/2GFSK)
RF Power Output	10mW
Coding Key	FFSK
Power Consumption	<15mA
Standby Power Consumption	<1 mA
Battery Capacity	2 noc, AA size Alkaline, 3.0V
Operating Temperature	-20° C to + 70° C
Weight	325gms (without battery)
Dimensions (mm)	165 (H) X 75(W) X 50(B)
Ingress Protection	IP 54 IS /IEC 60079:2001
Zone	ZONE 1, Gas Groups IIC
Enclosure	Thermoplast (Glass Filled Nylon)
Standard	IS/IEC 60079-0 :2011 IS/IEC 60079-11 :2013 IS/IES 600529 :2014
Certificate No	INCIMFR/TR23/R/1844 DATE - 18/10/2023
PESO Certificate No	A/P/HQ/GJ/104/5699 (P598566/1) DATE- 28/03/2025
Name	Central Institute of Mining & Fuel Research, Dhanbad
BIS Licence No	CM/L-72000208195 DATE - 20/07/2021

Features

Communication	Unidirectional & Bidirectional configuration based on requirement
Emergency Stop	1 No contacts for EMS + Magnetic key
Range Adjustment	Operating Range Adjustable from 20m, 30m.. Upto 100m standard 100m
Close Start	Only Start functional adjustable from 20m,30m...upto 100m (Standard 100m)
Pairing	Any transmitter to Any receiver pairing facility available
Indications	LED Indication for Battery Low, Transmission and Error status
ID Code	Unique ID Code to avoid Interference
Antenna	Internal Antenna on Transmitter
Keyboard Locking	Transmitter Keyboard Locking Provision on request
Relay Assignment	Configurable Relay assignment available
Interlocking	Configurable Relay Interlocks available
Idle Time	Configurable Idle Time out (Standard 60 min)

IMPACT - 502 (INTRINSICALLY SAFE)



Introduction

Radio remote control transmitter hand held upto 10 push buttons. Model **IMPACT - 502** Works on 3 Volts batteries suitable for Intrinsic Safety in accordance to standard IS/IEC 60079-0-2011 & IS/IEC 60079-11-2013 suitable for gas groups IIA & IIB and IIC atmosphere only.

[CLICK HERE FOR INDEX](#)



Technical Specification

Actuators in IMPACT - 502 Transmitter	10 Double speed push buttons +Start/Alarm+Stop
Operating Range	100 meters
Operating Frequency	433-434 Mhz
Channel Spacing	25 KHz
Modulation	FM (4GFSK/2GFSK)
RF Power Output	10mW
Coding Key	FFSK
Power Consumption	<15mA
Standby Power Consumption	<1 mA
Battery Capacity	2 noc, AA size Alkaline, 3.0V
Operating Temperature	-20° C to + 70° C
Weight	325gms (without battery)
Dimensions (mm)	165 (H) X 75(W) X 50(B)
Ingress Protection	IP 54 IS /IEC 60079:2001
Zone	ZONE 1, Gas Groups IIC
Enclosure	Thermoplast (Glass Filled Nylon)
Standard	IS/IEC 60079-0 :2011 IS/IEC 60079-11 :2013 IS/IES 600529 :2014
Certificate No	CIMFR / TC / P/ 243 DATE- 18/10/2023
PESO Certificate No	A/P/HQ/GJ/104/5699 (P455000/1) DATE- 28/03/2025
Name	Central Institute of Mining & Fuel Research, Dhanbad
BIS Licence No	CM/L-72000208195 DATE - 20/07/2021

Features

Communication	Unidirectional & Bidirectional configuration based on requirement
Emergency Stop	1 No contacts for EMS + Magnetic key
Range Adjustment	Operating Range Adjustable from 20m, 30m.. Upto 100m standard 100m
Close Start	Only Start functional adjustable from 20m,30m,...upto 100m (Standard 100m)
Pairing	Any transmitter to Any receiver pairing facility available
Indications	LED Indication for Battery Low, Transmission and Error status
ID Code	Unique ID Code to avoid Interference
Antenna	Internal Antenna on Transmitter
Keyboard Locking	Transmitter Keyboard Locking Provision on request
Relay Assignment	Configurable Relay assignment available
Interlocking	Configurable Relay Interlocks available
Idle Time	Configurable Idle Time out (Standard 60 min)

CRANE CONTROL GEAR



POWER DISTRIBUTION



RADIO REMOTE CONTROLS



JOYSTICK CONTROLLER



FLAMEPROOF PRODUCTS



OTHER ELECTRONICS



“Our Customer do not buy products. They buy the benefits that our products provides.”

H. O. Unit -I : C-15/16, Nand Jyot,
Industrial Estate, Andheri-Kurla, Road,
Mumbai - 400072 ,
Tel : (022) 42469700-730,
E-mail : sales@socgroup.in

Visit us at :
www.speedocontrols.com
www.socremote.com
www.socjoystick.com

Unit - II: Plot No. 4912, G. I. D. C.,
Phase IV, Vatva,
Ahmedabad - 382445
Tel.: (079) 68169700/702/712,
E-mail : enquiry2@socgroup.in