



**SPEED-O-CONTROLS
PVT. LTD.**



CRANE CONTROL GEAR

LEVER OPERATED LIMIT SWITCHES



DISCOVER OUR RANGE OF LIMIT SWITCHES



INDEX

LEVER TYPE
LIMIT SWITCH

MODEL : LS2SH2/LS2SH4
10A AL

[\(CLICK HERE\)](#)



LEVER TYPE
LIMIT SWITCH

MODEL : LS2SH2/LS2SH4
40A AL

[\(CLICK HERE\)](#)



LEVER TYPE
LIMIT SWITCH

MODEL : LS2SH4-40A

[\(CLICK HERE\)](#)



LEVER TYPE
LIMIT SWITCH

MODEL : LSR-10A

[\(CLICK HERE\)](#)





INDEX

LIMIT SWITCHES
SPARE COMPONENTS
10AMPS



[\(CLICK HERE\)](#)

LIMIT SWITCHES
SPARE COMPONENTS
40AMPS



[\(CLICK HERE\)](#)

LIMIT SWITCHES
SPARE COMPONENTS
2SH4-40AMPS



[\(CLICK HERE\)](#)

[CLICK HERE FOR INDEX](#)

Introduction

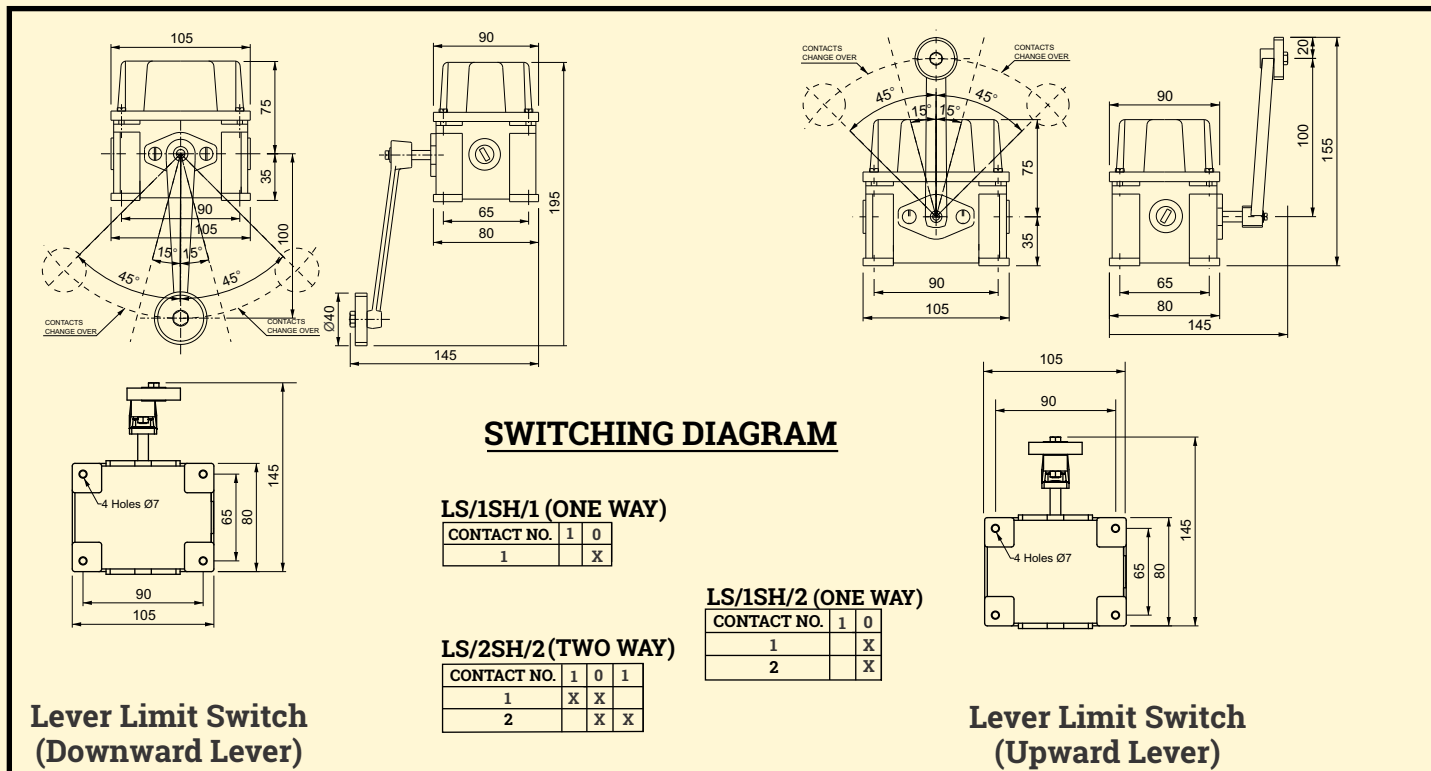
Lever Type Limit Switch operates the control change-over contacts of motor of an moving equipments when a cam moving with loads actuates the lever of Limit Switch. This turns the cam/on a square shaft and operate the NO/NC change over contact elements.

Technical Data :

Body Material	Aluminium Die Cast (Powder Coated)
Protection Degree	IP-55 Confirming to (IS/IEC 60529) 2001
Mounting Position	Floor
Cable Entries	2, 3/4" Conduit
No. of Contacts	MAX 2
Contact Material	Silver Cadmium
Wire Connection	Screw Terminal
Rated Voltage	500 V.A.C. Max
Thermal Test Current	10 A



* Also available in Thermoplastic



[CLICK HERE FOR INDEX](#)

Introduction

Lever Type Limit Switch operates the control change-over contacts of motor of an moving equipments when a cam moving with loads actuates the lever of Limit Switch. This turns the cam/on a square shaft and operate the NO/NC change over contact elements.



Technical Data :

Body Material	Aluminium Die Cast (Powder Coated)
Protection Degree	IP-55 Confirming to (IS/IEC 60529) 2001
Mounting Position	Floor
Cable Entries	2, 3/4" Conduit
No. of Contacts	MAX 4
Contact Material	Silver Cadmium
Wire Connection	Screw Terminal
Rated Voltage	500 V.A.C. Max
Thermal Test Current	40 A

*** Also available in Thermoplastic**

Lever Limit Switch (Downward Lever)

Lever Limit Switch (Upward Lever)

SWITCHING DIAGRAM

LS/1SH/1 (ONE WAY)

CONTACT NO.	1	0
1	X	X

LS/1SH/2 (ONE WAY)

CONTACT NO.	1	0
1	X	X
2	X	X

LS/2SH/2 (TWO WAY)

CONTACT NO.	1	0	1
1	X	X	X
2	X	X	X

LS/2SH/4 (TWO WAY)

CONTACT NO.	2	1	0	1	2
1	X	X	X	X	X
2	X	X	X	X	X
3	X	X	X	X	X
4	X	X	X	X	X

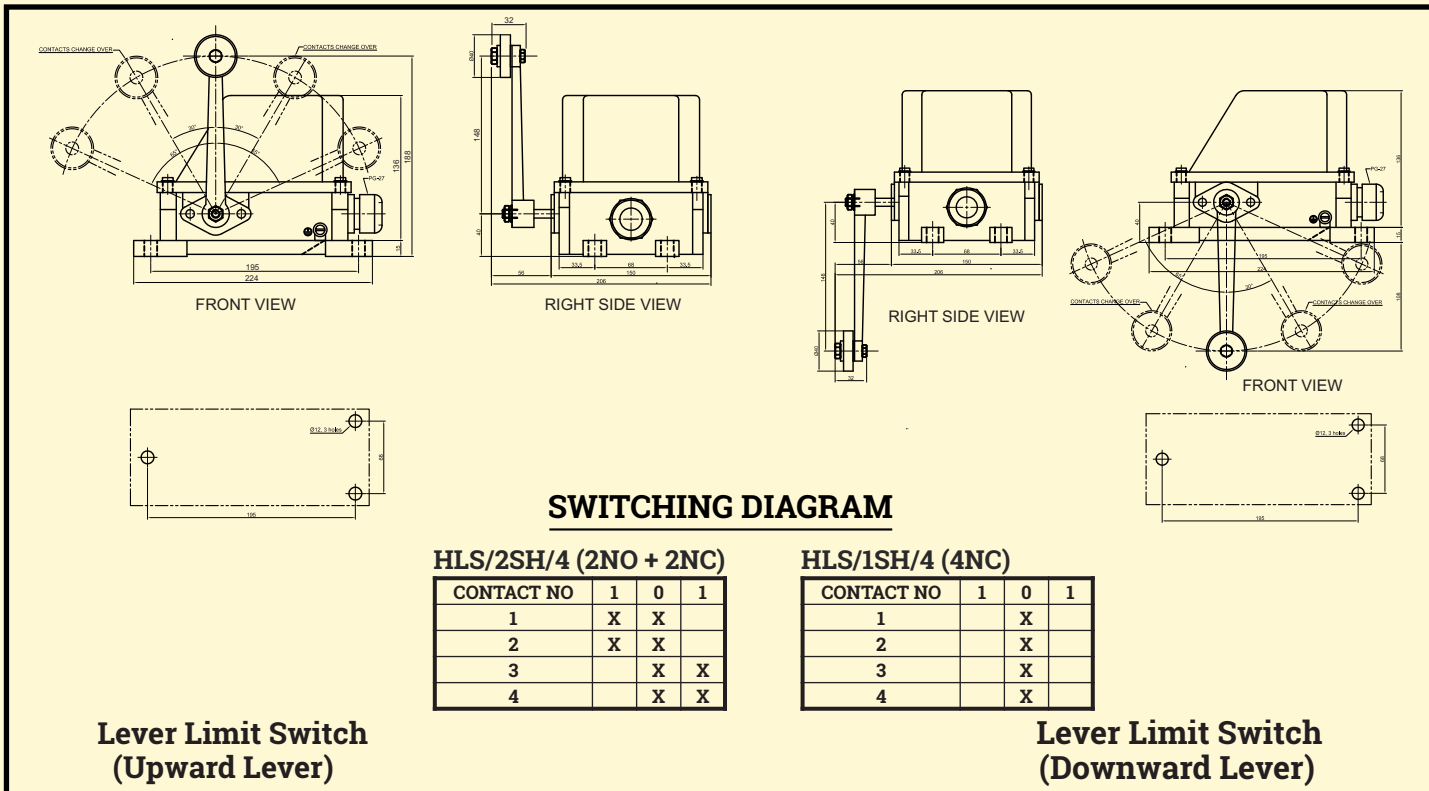
[CLICK HERE FOR INDEX](#)

Introduction

Heavy Duty Lever Type Limit Switch operates the control change-over contacts of motor of an moving equipments when a cam moving with loads actuates the lever of Limit Switch. This turns the cam/on a square shaft and operate the NO/NC change over contact elements.

Technical Data :

Body Material	Aluminium Die Cast (Powder Coated)
Protection Degree	IP-54 Confirming to IS/IEC 60529 (2001)
Mounting Position	Floor
Cable Entries	1 x 3/4" Conduit
No. of Contacts	4 NC OR 2NO + 2NC
Contact Material	Silver Cadmium
Wire Connection	Screw Terminal
Rated Voltage	500 V.A.C. Max
Thermal Test Current	40 Amps.



[CLICK HERE FOR INDEX](#)

Introduction

The LSR 4 way switch operates the control change-over contacts of a motor of a moving equipment. When the moving equipment, operating with a load, actuates the 300mm rods of the Limit Switch, the NO/NC contact elements change-over to control the equipment's movement.

Operation

The contacts operate / change-over at 90° rotations. The limit switch has 4 position 0° - 90° - 180° - 270° operations used for single / two speed motor control. The Limit switch has 300 mm rods with 3 to 4 positions and 2 or 4 contacts.



For single-speed motor control

Description	Tune	Diagram
3-position with mechanical interlock	LSR 2S	A
3-position with mechanical interlock	LSR 22S	B
4-position rotary	LSR 4S	C
4-position rotary	LSR 5M	D
4-position rotary	LSR 5M1	E

Technical Data

Body Material	Thermo-plastic
Protection Degree	IP-65 protection rating according to IEC/EN 60529
Contact Material	Double break
Rated Voltage / frequency	690 V / 50HZ
withstand voltage	kV 4
Rated thermal current	10 A
Cable Entry	2.5Ø
Ambient Temperature	Operating -25° + 55° C Storage -30° + 70° C
Material Class	Class II IEC / En60497
Pollution Class	Class III IEC / En60497

For two-speed motor control

Description	Tune	Diagram
4-position with mechanical interlock	LSR 22D	F

Wiring Diagram A
LSR 2S
With Mechanical Interlock

Wiring Diagram B
LSR 22S
With Mechanical Interlock

Wiring Diagram C
LSR 4S
Without Mechanical Interlock

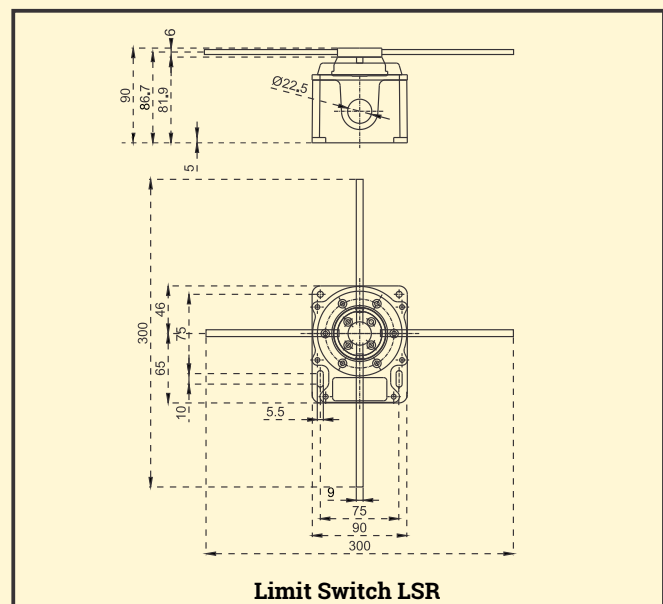
SINGLE SPEED

Wiring Diagram D
LSR 5M
Without Mechanical Interlock

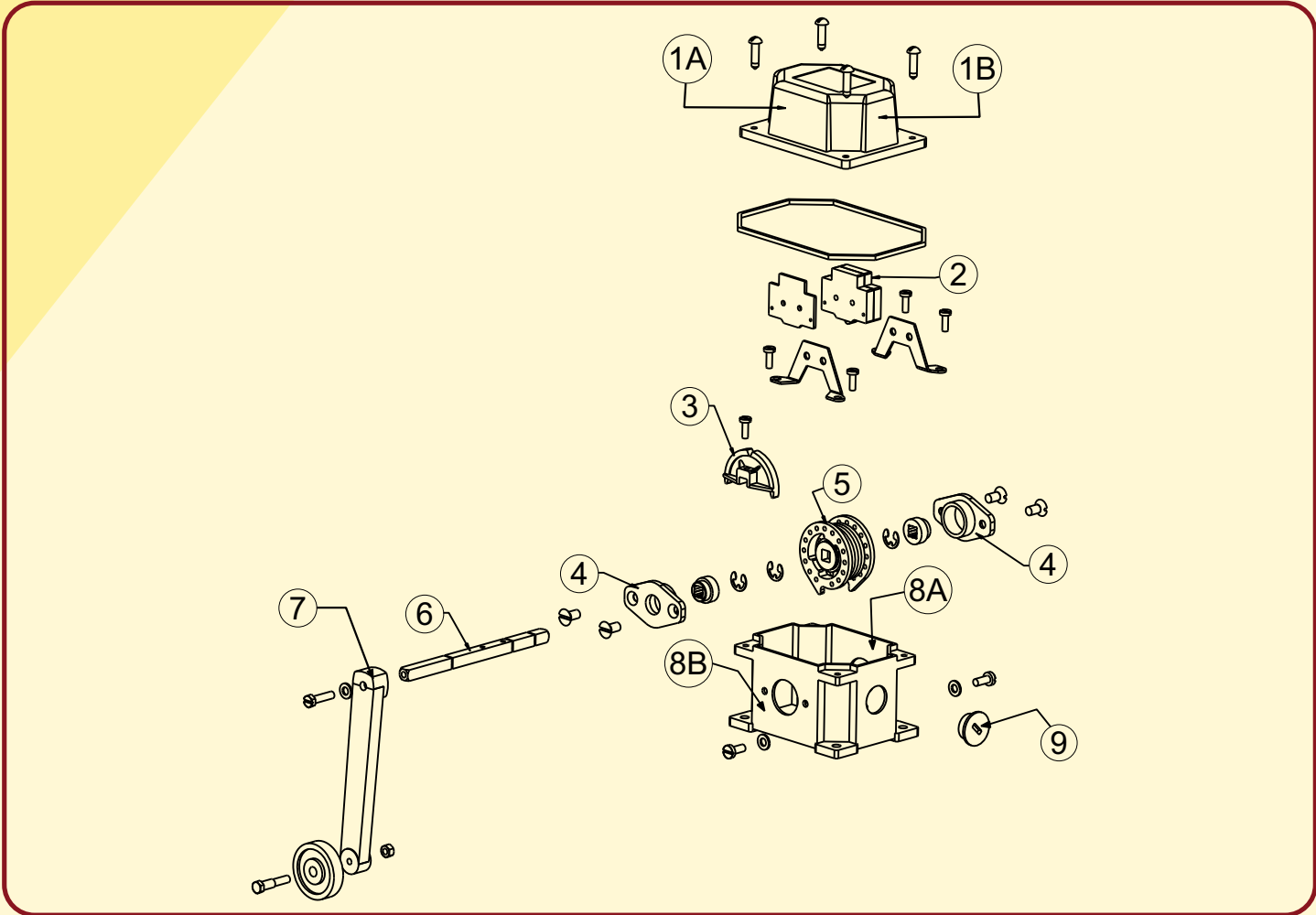
Wiring Diagram E
LSR 5M1
Without Mechanical Interlock

Wiring Diagram F
LSR 22D
With Mechanical Interlock

TWO SPEED



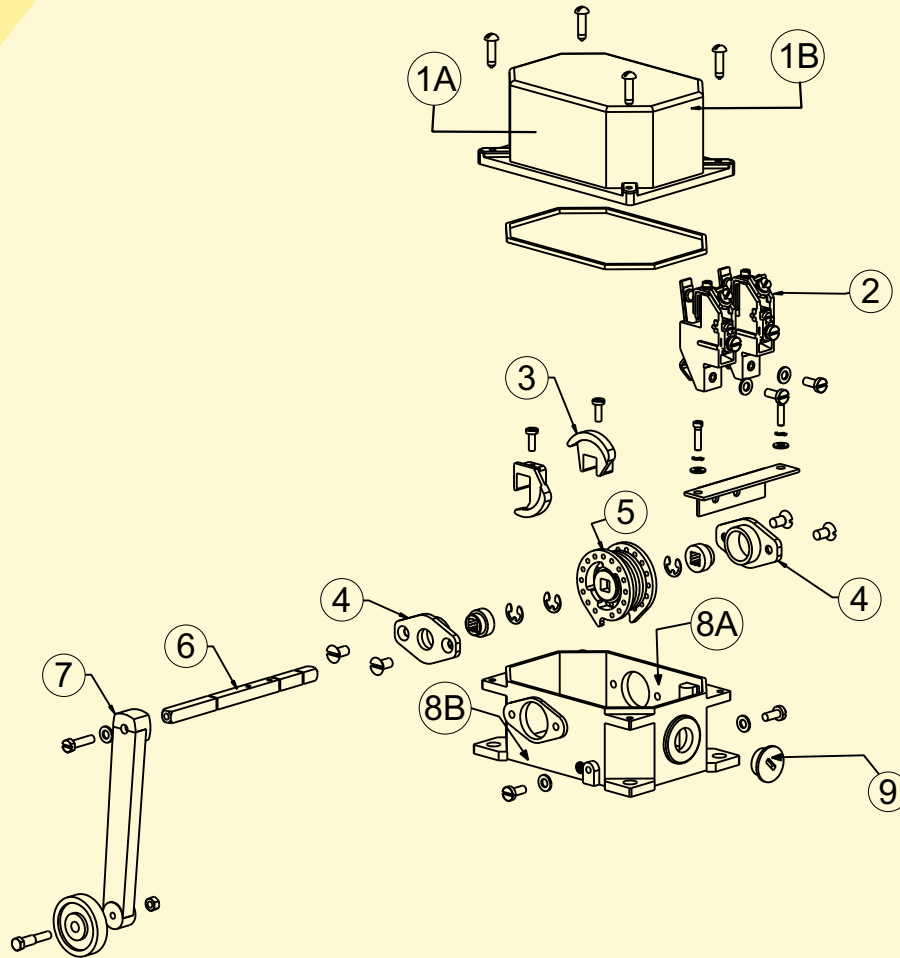
BLOW UP FOR LEVER OPERATED LIMIT SWITCHES(10AMPS)



SPARES FOR LEVER OPERATED LIMIT SWITCHES(10AMPS)

<p>1A</p>  <p>TOP COVER AL (10LLTICAL)</p>	<p>1B</p>  <p>TOP COVER TP (10LLTCTP)</p>	<p>2</p>  <p>CONTACT ELEMENT ASSEMBLY (10LLCA)</p>	<p>3</p>  <p>CAMS (10LLCM)</p>	<p>4</p>  <p>START/END BUSH (10LLSB/10LLEB)</p>	
<p>5</p>  <p>SPRING ASSEMBLY (10LLSRA)</p>	<p>6</p>  <p>CAM SHAFT (10LLCS)</p>	<p>7</p>  <p>ROLLER WITH LEVER (10LLRL)</p>	<p>8A</p>  <p>BOTTOM COVER AL (10LLBCAL)</p>	<p>8B</p>  <p>BOTTOM COVER TP (10LLBCTP)</p>	<p>9</p>  <p>CABLE GLAND BUTTON (10LLCGB)</p>

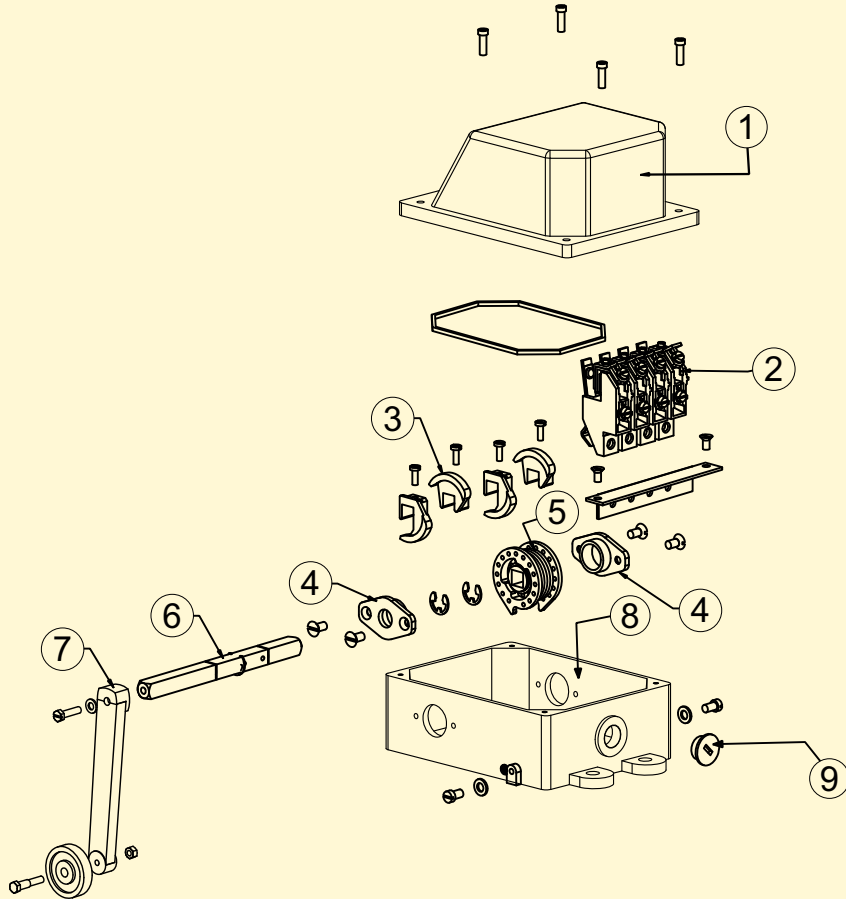
BLOW UP FOR LEVER OPERATED LIMIT SWITCHES(40AMPS)



SPARES FOR LEVER OPERATED LIMIT SWITCHES(40AMPS)

<p>1A</p>  <p>TOP COVER AL (40LLTAL)</p>	<p>1B</p>  <p>TOP COVER TP (40LLTCTP)</p>	<p>2</p>  <p>CONTACT ELEMENT ASSEMBLY (40LLCA)</p>	<p>3</p>  <p>CAMS (40LLCM)</p>	<p>4</p>  <p>START/END BUSH (40LLSB/40LLEB)</p>	
<p>5</p>  <p>SPRING ASSEMBLY (40LLSRA)</p>	<p>6</p>  <p>CAM SHAFT (40LLCS)</p>	<p>7</p>  <p>ROLLER WITH LEVER (40LLRL)</p>	<p>8A</p>  <p>BOTTOM COVER AL (40LLBCAL)</p>	<p>8B</p>  <p>BOTTOM COVER TP (40LLBCTP)</p>	<p>9</p>  <p>CABLE GLAND BUTTON (40LLCGB)</p>

BLOW UP FOR HEAVY DUTY LEVER LIMIT SWITCHES(40AMPS)



SPARES FOR HEAVY DUTY LEVER LIMIT SWITCHES(40AMPS)

<p>1</p>  <p>TOP COVER (40HLLTCAL)</p>	<p>2</p>  <p>CONTACT ELEMENT ASSEMBLY (40HLLCA)</p>	<p>3</p>  <p>CAMS (40HLLCM)</p>	<p>4</p>  <p>START/END BUSH (40HLLSB/40HLLB)</p>	
<p>5</p>  <p>SPRING ASSEMBLY (40HLLSRA)</p>	<p>6</p>  <p>CAM SHAFT (40HLLCS)</p>	<p>7</p>  <p>ROLLER WITH LEVER (40HLLRL)</p>	<p>8</p>  <p>BOTTOM COVER (40HLLBCAL)</p>	<p>9</p>  <p>CABLE GLAND BUTTON (40HLLCGB)</p>

CRANE CONTROL GEAR



POWER DISTRIBUTION



RADIO REMOTE CONTROLS



JOYSTICK CONTROLLER



FLAMEPROOF PRODUCTS



OTHER ELECTRONICS



“Our Customer do not buy products. They buy the benefits that our products provides.”

H. O. Unit -I : C-15/16, Nand Jyot,
Industrial Estate, Andheri-Kurla, Road,
Mumbai - 400072 ,
Tel : (022) 42469700-730,
E-mail : sales@socgroup.in

Visit us at :
www.speedocontrols.com
www.socremote.com
www.socjoystick.com

Unit - II: Plot No. 4912, G. I. D. C.,
Phase IV, Vatva,
Ahmedabad - 382445
Tel.: (079) 68169700/702/712,
E-mail : enquiry2@socgroup.in