



**SPEED-O-CONTROLS
PVT. LTD.**



CRANE CONTROL SOLUTIONS

MASTER CONTROLLER



DISCOVER OUR RANGE OF MASTER CONTROLLER

INDEX

**MASTER CONTROLLER
(IP-41)**

[\(CLICK HERE\)](#)



**MASTER CONTROLLER
(IP-54)**

[\(CLICK HERE\)](#)



**UNIVERSAL MASTER
CONTROLLER**

[\(CLICK HERE\)](#)



**UNIVERSAL MASTER
CONTROLLER
(WITHOUT STOOL)**

[\(CLICK HERE\)](#)



**MASTER CONTROLLER
SPARE COMPONENTS**

[\(CLICK HERE\)](#)



Master Controller(IP-41)



[CLICK HERE FOR INDEX](#)

Introduction

Master Controller is housed in enclosure and provided with an easily removable cover with ample area for maintenance. The cam shaft is mounted on bearing bushes on walls of housing. The cam are made of thermoplastic material and fixed on square spindle switch which is moved by a handle. The cams are cut to correspond to the switching program sheet steel enclosure powder coated Suitable for Hoist-Grab, Mill duty, E.O.T. Cranes and Rolling mill drives.

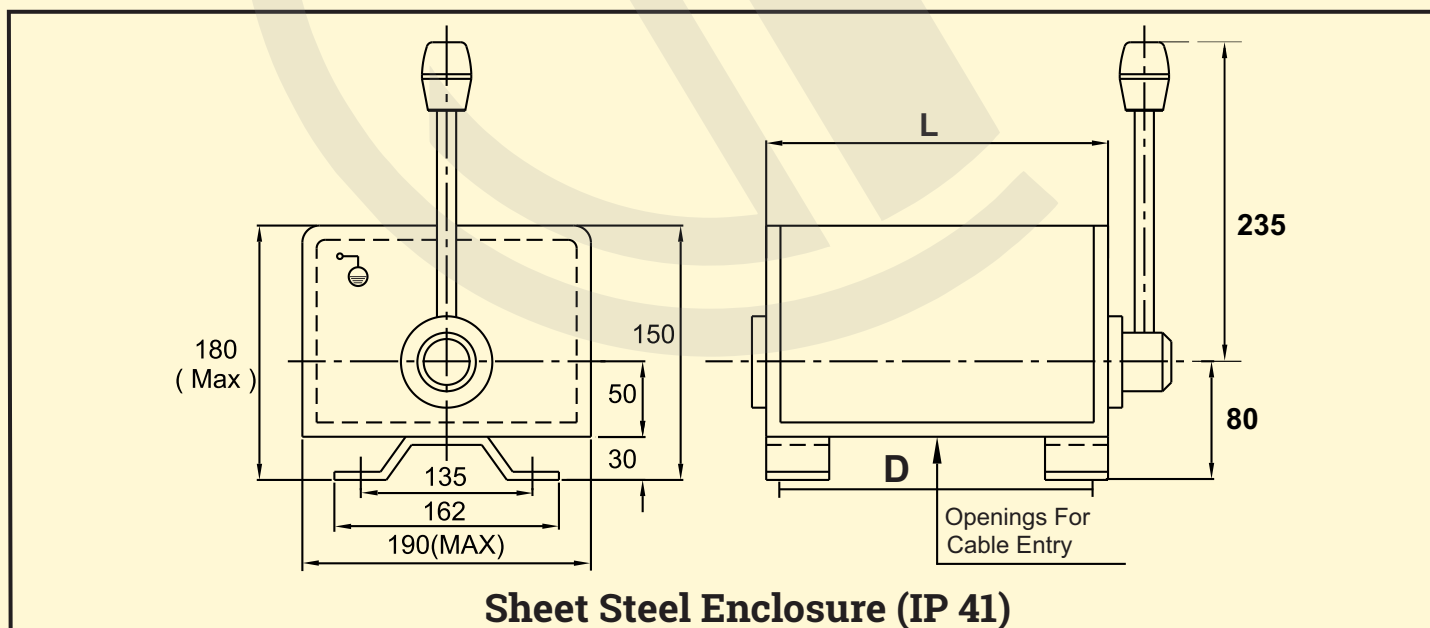
Technical Data :

Body Material	Sheet Steel Enclosure
Protection Degree	IP-41(IS/IEC-60529(2001))
Mounting Position	Horizontal
Contact Material	Silver Cadmium
Rated Voltage	500 V.A.C.
Thermal Test Current	10Amps/40Amps
Cable Entries	2 x 20, 2 x 26 Standard Conduit
Input Speed	1200 RPM Maximum
Contacts	Single Break
No. Of Contacts	24 Maximum
No Of Steps	6-0-6 Maximum
Optional	Spring return/deadman's handle arrangement



Sheet Steel Enclosure (IP 41)

Dimension Details					
Type	L	D	No. Of Contacts	No.Of Cable Entries	
				Dia 20	Dia 26
1	135	105	8	2	2
2	195	165	12	2	4
3	245	215	18	2	4
4	305	265	24	2	6



Sheet Steel Enclosure (IP 41)

H. O. Unit - I : C-15/16, Nand Jyot Industrial Estate, Andheri-Kurla Road, Mumbai - 400072 ,
Tel : (022) 42469700/730
E-mail : sales@socgroup.in

Unit - II: Plot No. 4912, G. I. D. C., Phase IV, Vatva, Ahmedabad - 382445
Tel.: (079) 68169700/702/712
E-mail : enquiry2@socgroup.in

Visit us at :
www.speedocontrols.com
www.socremote.com
www.socjoystick.com

SPEED-O-CONTROLS PVT. LTD.
CRANE CONTROL GEAR

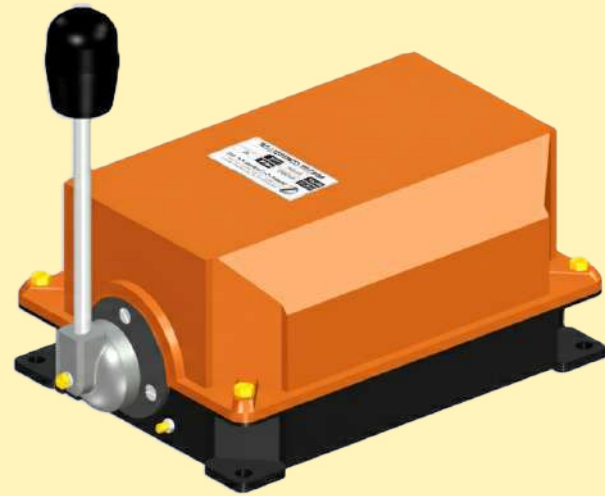
Master Controller(IP-54)



Introduction

Master Controller is housed in enclosure and provided with an easily removable cover with ample area for maintenance. The cam shaft is mounted on bearing bushes on walls of housing. The cam are made of thermoplastic material and fixed on square spindle switch which is moved by a handle. The cams are cut to correspond to the switching program Aluminum die cast powder coated Suitable for Hoist-Grab, Mill duty, E.O.T. Cranes and Rolling mill drives.

[CLICK HERE FOR INDEX](#)

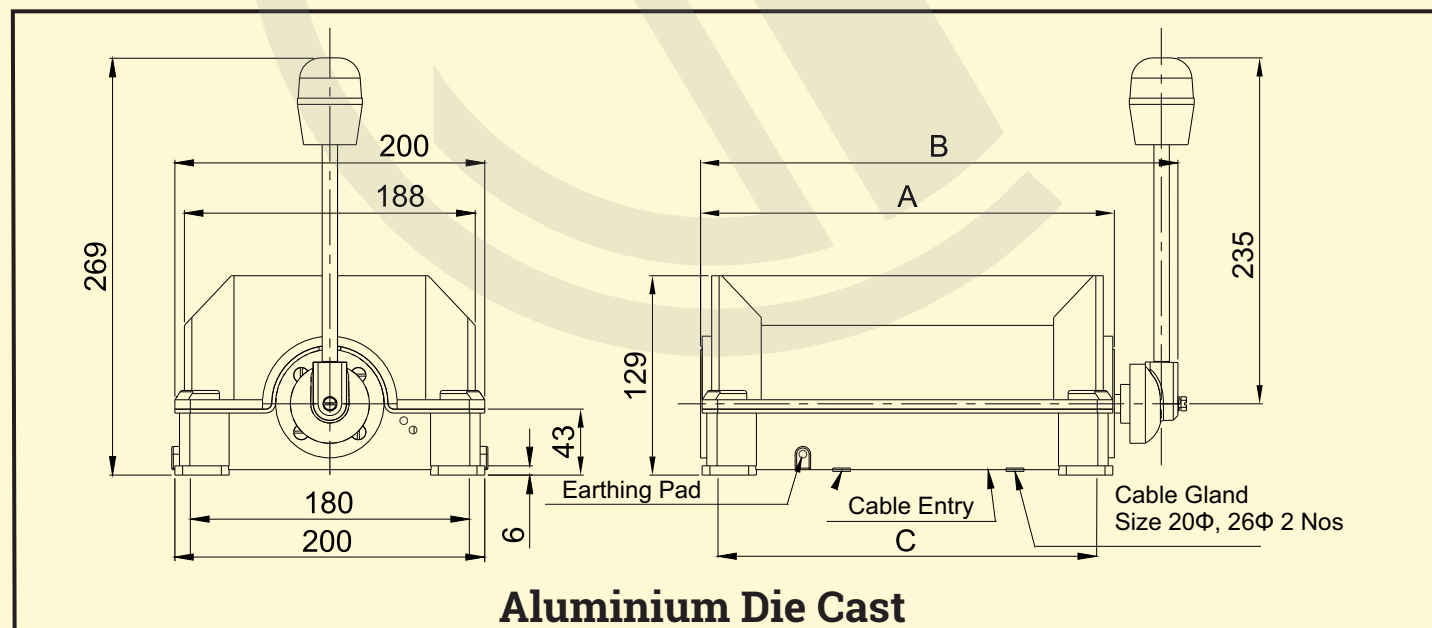


Technical Data :

Body Material	Aluminum Die Cast
Protection Degree	IP-54(IS/IEC-60529(2001))
Mounting Position	Horizontal
Contact Material	Silver Cadmium
Rated Voltage	500 V.A.C.
Thermal Test Current	40Amps
Cable Entries	2 x 20, 2 x 26 Standarded Conduit
Input Speed	1200 RPM Maximum
Contacts	Single Break
No. Of Contacts	24 Maximum
No Of Steps	6-0-6 Maximum
Optional	Spring return/deadman's handle arrangement

Aluminium Die Cast

Dimension Details						
Type	A	B	C	No.Of Contacts	No. Of Cable Entries	
					Dia 20	Dia 25
Small	170	220	150	8	1	1
Medium	267	317	245	16	2	2
Big	370	420	140	24	2	2



Aluminium Die Cast

H. O. Unit - I : C-15/16, Nand Jyot Industrial Estate, Andheri-Kurla Road, Mumbai - 400072 ,
Tel : (022) 42469700/730
E-mail : sales@socgroup.in

Unit - II: Plot No. 4912, G. I. D. C., Phase IV, Vatva, Ahmedabad - 382445
Tel.: (079) 68169700/702/712
E-mail : enquiriy2@socgroup.in

Visit us at :
www.speedocontrols.com
www.socremote.com
www.socjoystick.com

SPEED-O-CONTROLS PVT. LTD.
CRANE CONTROL GEAR

[CLICK HERE FOR INDEX](#)

Introduction

Twin Master Controller with one universal handle allows a crane operator to control both bridge & trolley motions with one handle. Simultaneous operation of bridge & trolley motions provide for greater spotting accuracy and faster movement of loads. The handle of joystick can be moved into any quadrant and any position. Universal controllers are also used for hoist/grab motion. Master Controllers are coupled with universal joint for operation of controller individually/jointly to get the desired motion operation.

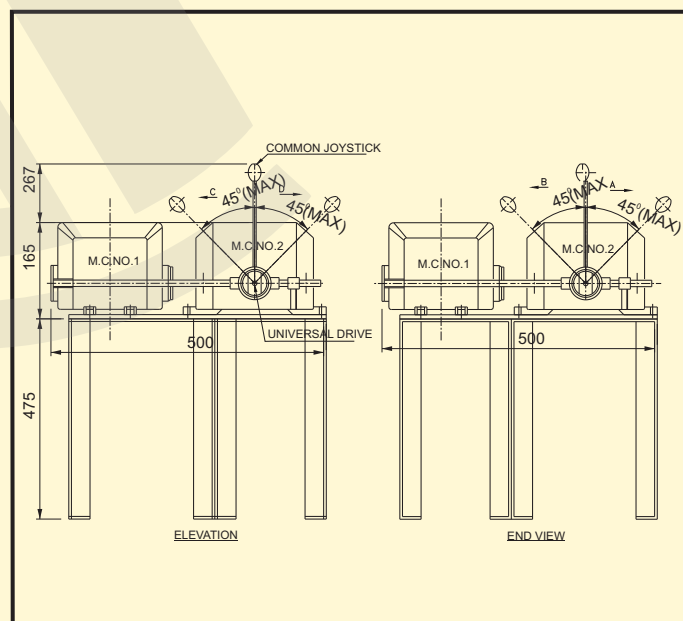
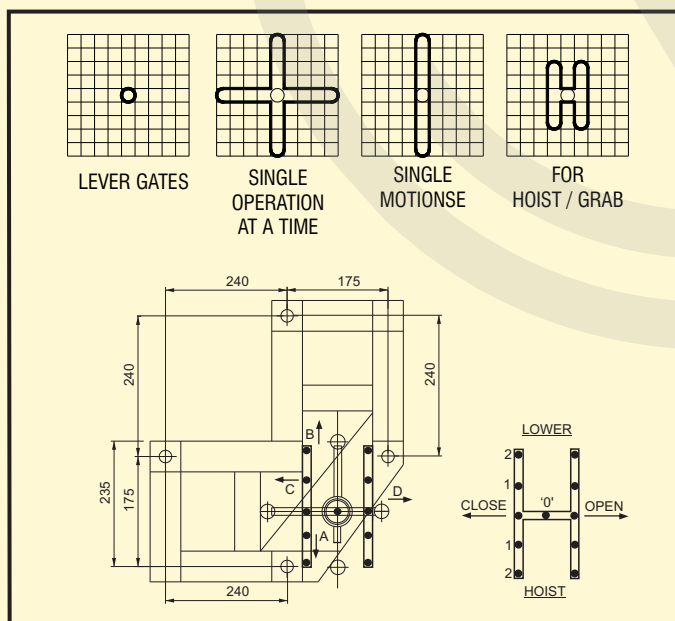
Note :-

- 1) Master Controller no. 1 operates in the direction- 'a' & 'b' 2
- 2) Master Controller no. 2 operates in the direction- 'c' & 'd'
- 3) All angles are 40 x 40 x 5.
- 4) No. of notches 4(max)
- 5) Max. No. of cams per controller-16.
- 6) No. of cable entries
 - a) Dia. 20-2 nos.
 - b) Dia. 26-2 nos.



Technical Data

Body Material	Al. Die Cast
Contact Material	Single Cadmium
Contact	Single Bracket
No. of Contact	16 per Controller (max)
Contact Rating	10/40 Amps



[CLICK HERE FOR INDEX](#)

Introduction

Twin Master Controller with one universal handle allows a crane operator to control both bridge & trolley motions with one handle. Simultaneous operation of bridge & trolley motions provide for greater spotting accuracy and faster movement of loads. The handle of joystick can be moved into any quadrant and any position. Universal controllers are also used for hoist/grab motion. Master Controllers are coupled with universal joint for operation of controller individually/jointly to get the desired motion operation.

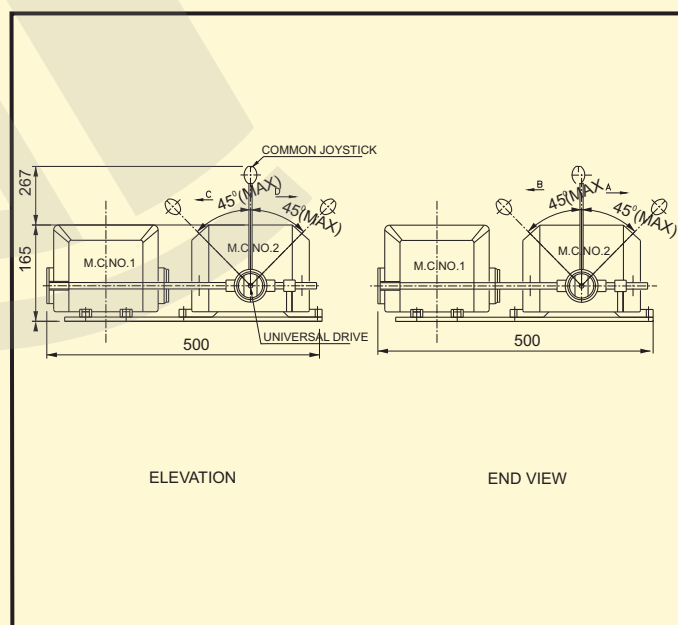
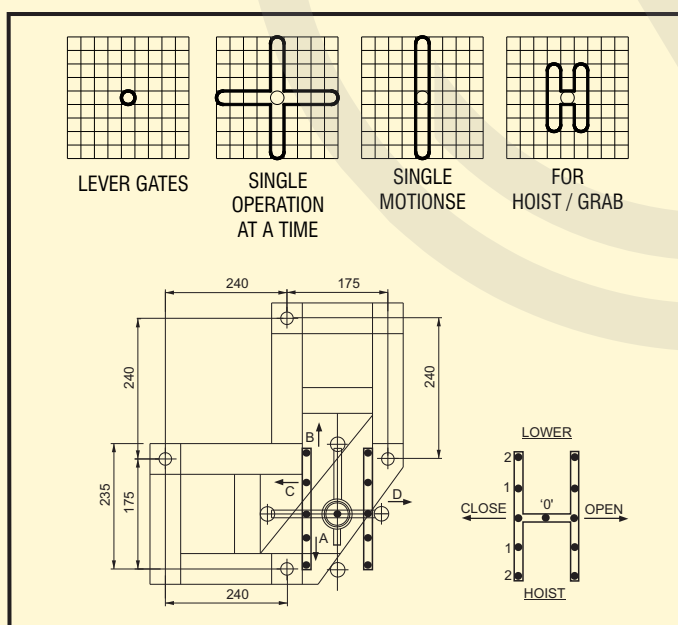


Note :-

- 1) Master Controller no. 1 operates in the direction- 'a' & 'b' 2
- 2) Master Controller no. 2 operates in the direction- 'c' & 'd'
- 3) All angles are 40 x 40 x 5.
- 4) No. of notches 4(max)
- 5) Max. No. of cams per controller-16.
- 6) No. of cable entries
 - a) Dia. 20-2 nos.
 - b) Dia. 26-2 nos.

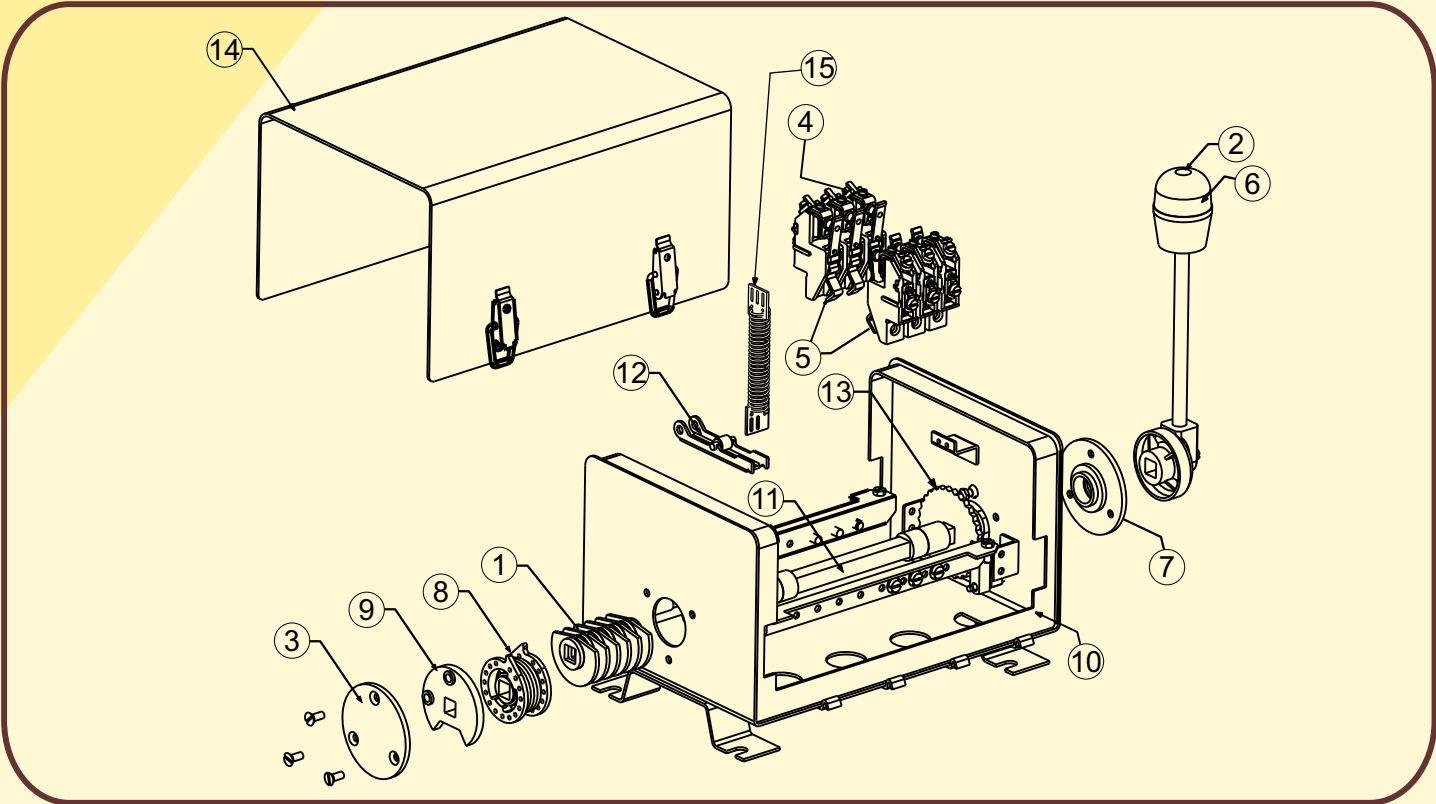
Technical Data

Body Material	Al. Die Cast
Contact Material	Single Cadmium
Contact	Single Bracket
No. of Contact	16 per Controller (max)
Contact Rating	10/40 Amps

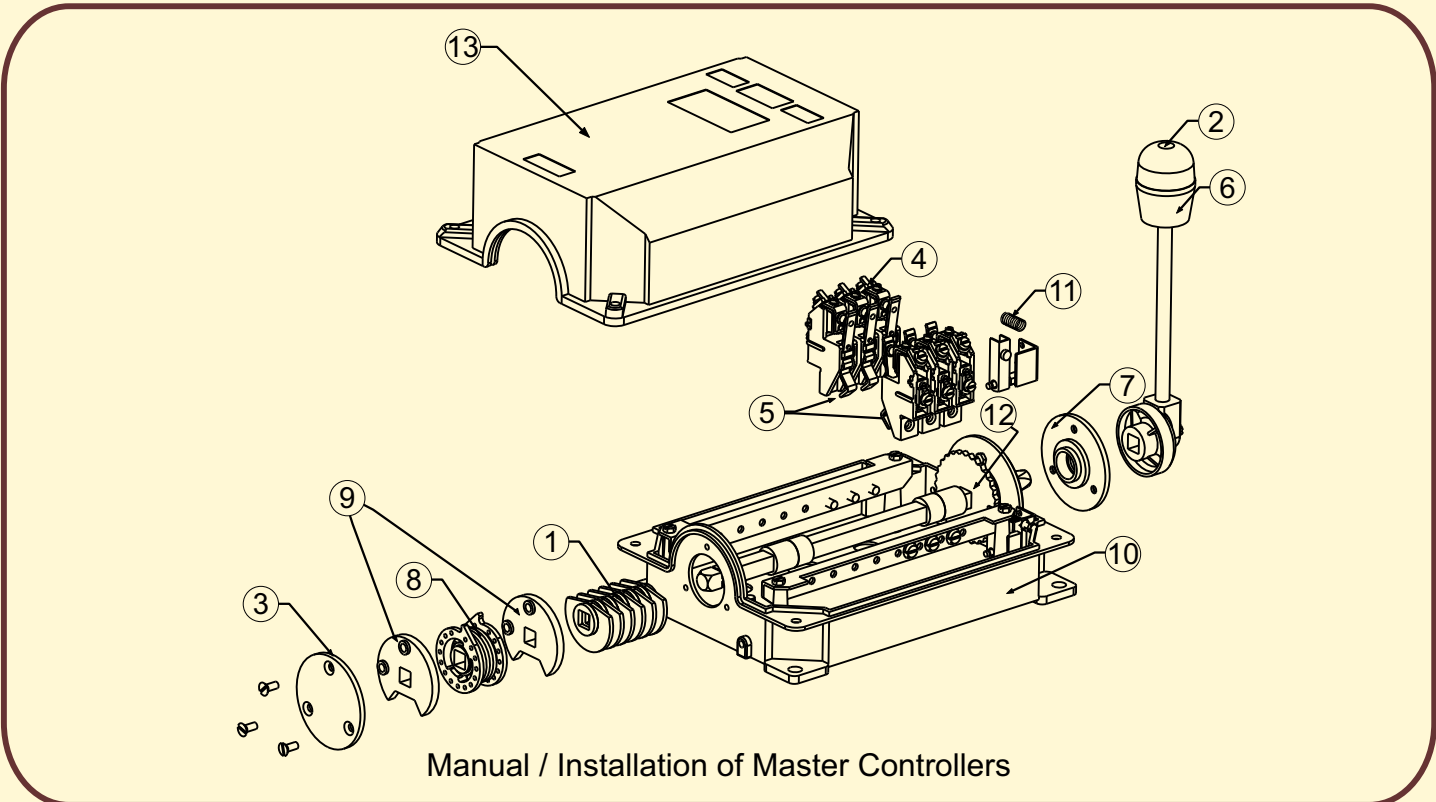


[CLICK HERE FOR INDEX](#)

SPARES FOR MASTER CONTROLLER (IP-41)



SPARES FOR MASTER CONTROLLER (IP-54)



Manual / Installation of Master Controllers



[CLICK HERE FOR INDEX](#)

SPARES FOR MASTER CONTROLLER (COMMON PARTS)

<p>1</p> <p>CAM FULL PROFILE (CMCA)</p>	<p>2</p> <p>DEAD MAN HANDLE/BUTTON (CMDM)</p>	<p>3</p> <p>END BUSH (CMEB)</p>	<p>4</p> <p>CONTACT ELEMENT ASSEMBLY-40A (CMCE)</p>	<p>5</p> <p>FIXED AND MOVING CONTACTS (CMFNC)</p>
---	---	---	---	---

<p>6</p> <p>HANDLE (CMHA)</p>	<p>7</p> <p>START BUSH (CMSB)</p>	<p>8</p> <p>SPRING RETURN ASSY (CMSR)</p>	<p>9</p> <p>STOPPER DISC (CMSD)</p>
---	---	---	---

SPARES FOR MASTER CONTROLLER (IP-41)

<p>10</p> <p>BOTTOM COVER (41MBC)</p>	<p>11</p> <p>CAM SHAFTS BEARING END BUSHES (41MCS)</p>	<p>12</p> <p>NOTCHING LEVER (41MNL)</p>	<p>13</p> <p>RACHET WHEEL (41MRW)</p>	<p>14</p> <p>TOP COVER (41MTC)</p>	<p>15</p> <p>NOTCHING SPRING WITH HOLDER (41MNS)</p>
---	--	---	---	--	--

SPARES FOR MASTER CONTROLLER (IP-54)

<p>10</p> <p>BOTTOM COVER (54MBC)</p>	<p>11</p> <p>SPRING ARRANGEMENT (54MSA)</p>	<p>12</p> <p>RACHET WHEEL (54MRW)</p>	<p>13</p> <p>TOP COVER (54MTC)</p>
---	---	---	--



CRANE CONTROL GEAR



POWER DISTRIBUTION



RADIO REMOTE CONTROLS



JOYSTICK CONTROLLER



FLAMEPROOF PRODUCTS



OTHER ELECTRONICS



“Our Customer do not buy products. They buy the benefits that our products provides.”

H. O. Unit -I : C-15/16, Nand Jyot,
Industrial Estate, Andheri-Kurla, Road,
Mumbai - 400072 ,
Tel : (022) 42469700-730,
E-mail : sales@socgroup.in

Visit us at :
www.speedocontrols.com
www.socremote.com
www.socjoystick.com

Unit - II: Plot No. 4912, G. I. D. C.,
Phase IV, Vatva,
Ahmedabad - 382445
Tel.: (079) 68169700/702/712,
E-mail : enquiry2@socgroup.in