

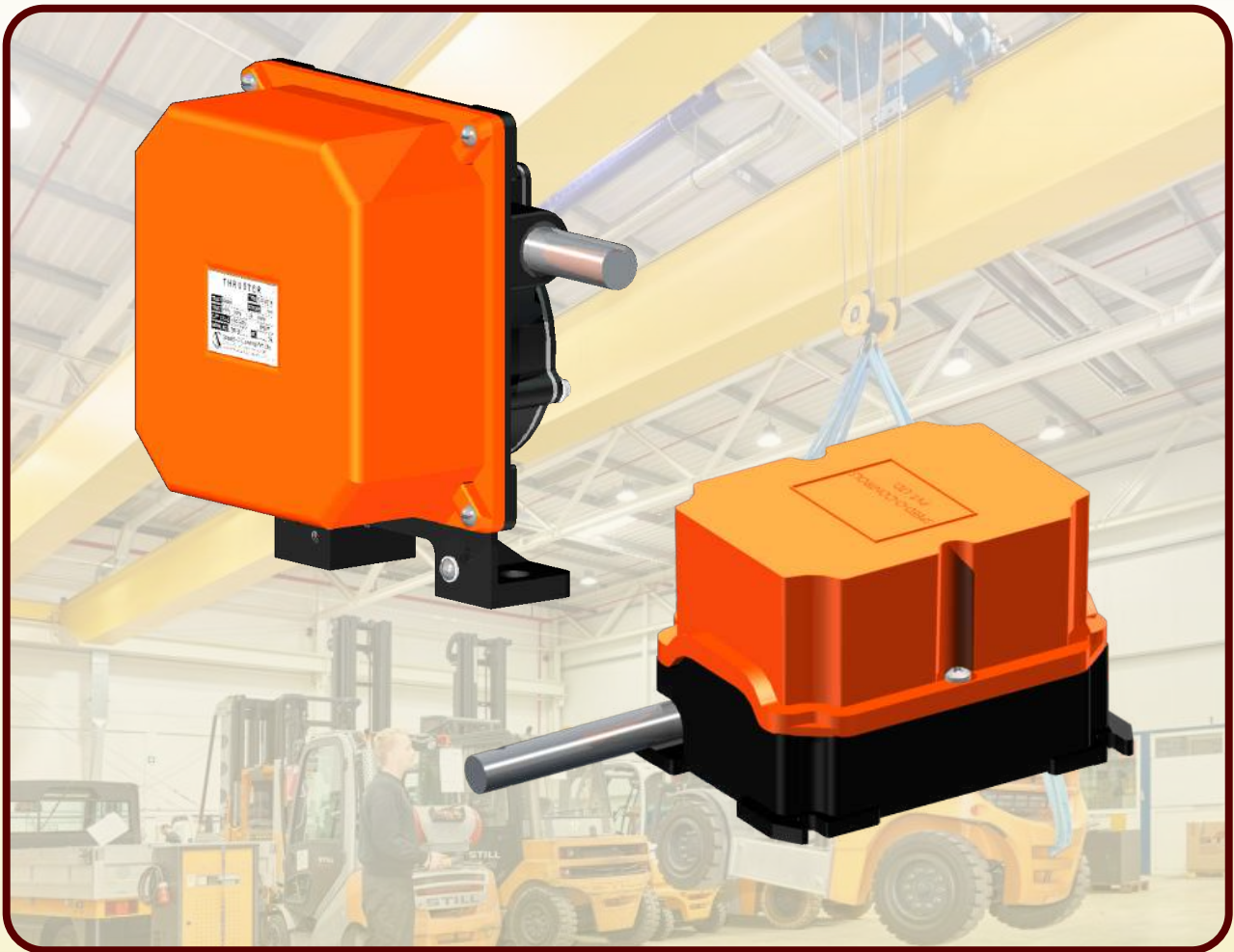


**SPEED-O-CONTROLS
PVT. LTD.**



CRANE CONTROL GEAR

ROTARY GEARED LIMIT SWITCHES



DISCOVER OUR RANGE OF LIMIT SWITCHES



INDEX

**ROTARY GEARED
LIMIT SWITCH**

MODEL : GRLS-40A

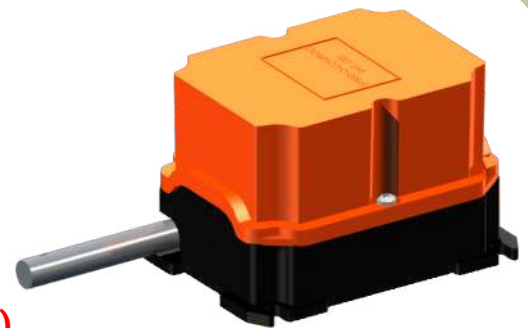
[\(CLICK HERE\)](#)



**WORM DRIVE
LIMIT SWITCH**

MODEL : FG-10A

[\(CLICK HERE\)](#)



**ROTARY GEARED
LIMIT SWITCHES
SPARE COMPONENTS**

[\(CLICK HERE\)](#)



**WORM DRIVE
LIMIT SWITCHES
SPARE COMPONENTS**

[\(CLICK HERE\)](#)



Limit Switch (FGLS)



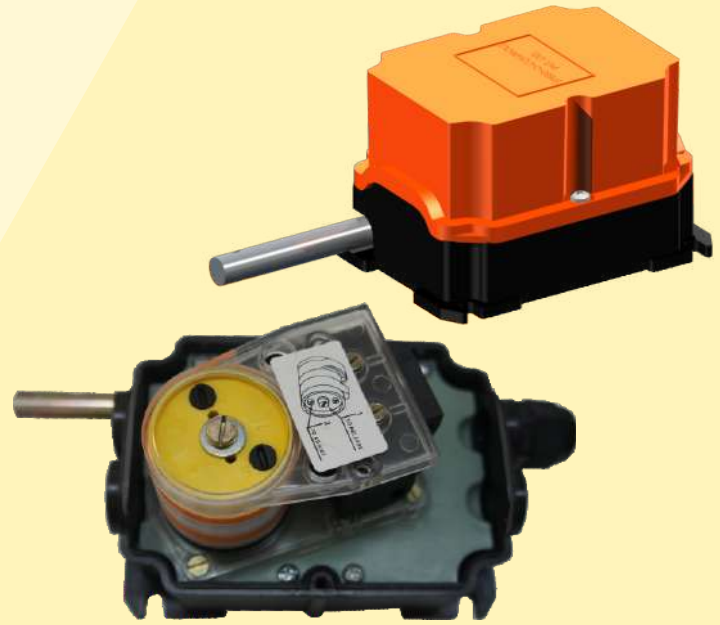
[CLICK HERE FOR INDEX](#)

Introduction

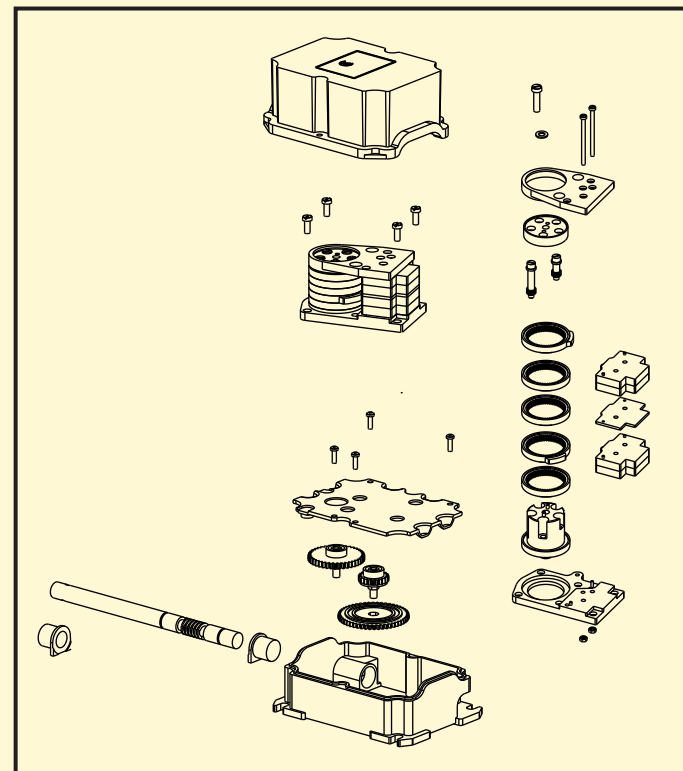
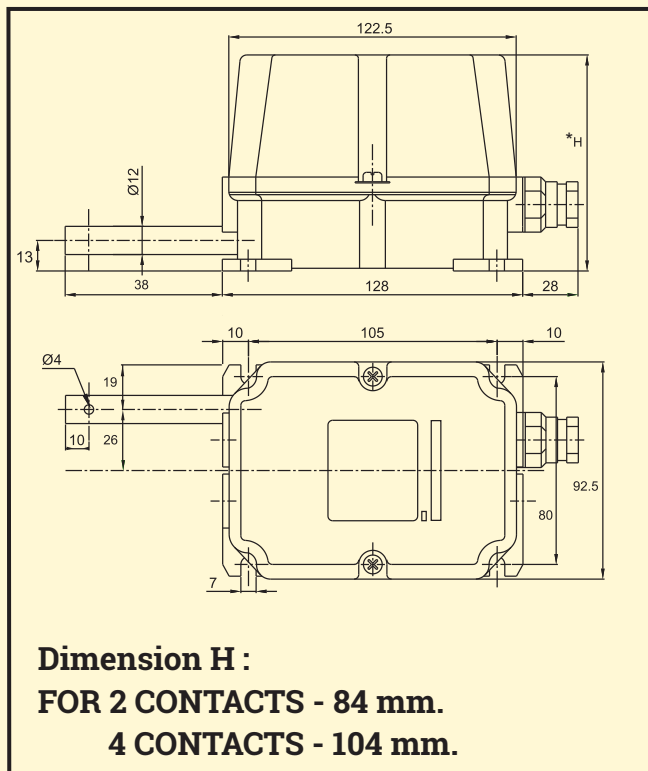
Worm Drive Limit Switches are suitable for use on reversing drives, such as Hoists, Cranes, Winches, Rolling Mills, Theaters, Coke Ovens etc. The driving motion is transmitted by worm gear. All gears and hubs are made of low wear thermoplastic. The rotational movements are transmitted to switches by adjustable cams.

Technical Data :

Body Material	Black GFN
Cover Material Yellow	Impact-proof Thermo-Plastic
Protection Degree	IP-55 (IS/IEC:60529(2001)
Operating Temperature	- 25°C to 70°C
Mounting Position	Any position mounting
Gear Ratios	1:12.5, 1:25, 1:50, 1:100, 1:200 and 1:400
Drive	Worm Screw
Cable Entries	Twin, 3/4 " BS Conduit
Input Speed	1200 RPM, Maximum
Contact Material	Double break, Silver Cadmium(snap)
Wire Connection	Screw terminal contact
Rated voltage	up to 600 V AC
Thermal Test Current	10 A
No. Of Contacts	2 OR 4 (NC / NO)
Mechanical / Electrical Life	1 Million Operations



Code	Ratios	Useful Rotations	2 Contacts Model 2 NC *H = 84	4 Contacts Model 4 NC *H = 104
101100010001	1 : 12.5	11.6	FG - 12.5 P2	FG - 12.5 P4
101100020001	1 : 25	23.2	FG - 25 P2	FG - 25 P4
101100030001	1 : 50	46.5	FG - 50 P2	FG - 50 P4
101100040001	1 : 100	93	FG - 100 P2	FG - 100 P4
101100050001	1 : 200	185	FG - 200 P2	FG - 200 P4
101100060001	1 : 400	372	FG - 400 P2	FG - 400 P4



H. O. Unit - I : C-15/16, Nand Jyot Industrial Estate, Andheri-Kurla Road, Mumbai - 400072 ,
 Tel : (022) 42469700/730
 E-mail : sales@socgroup.in

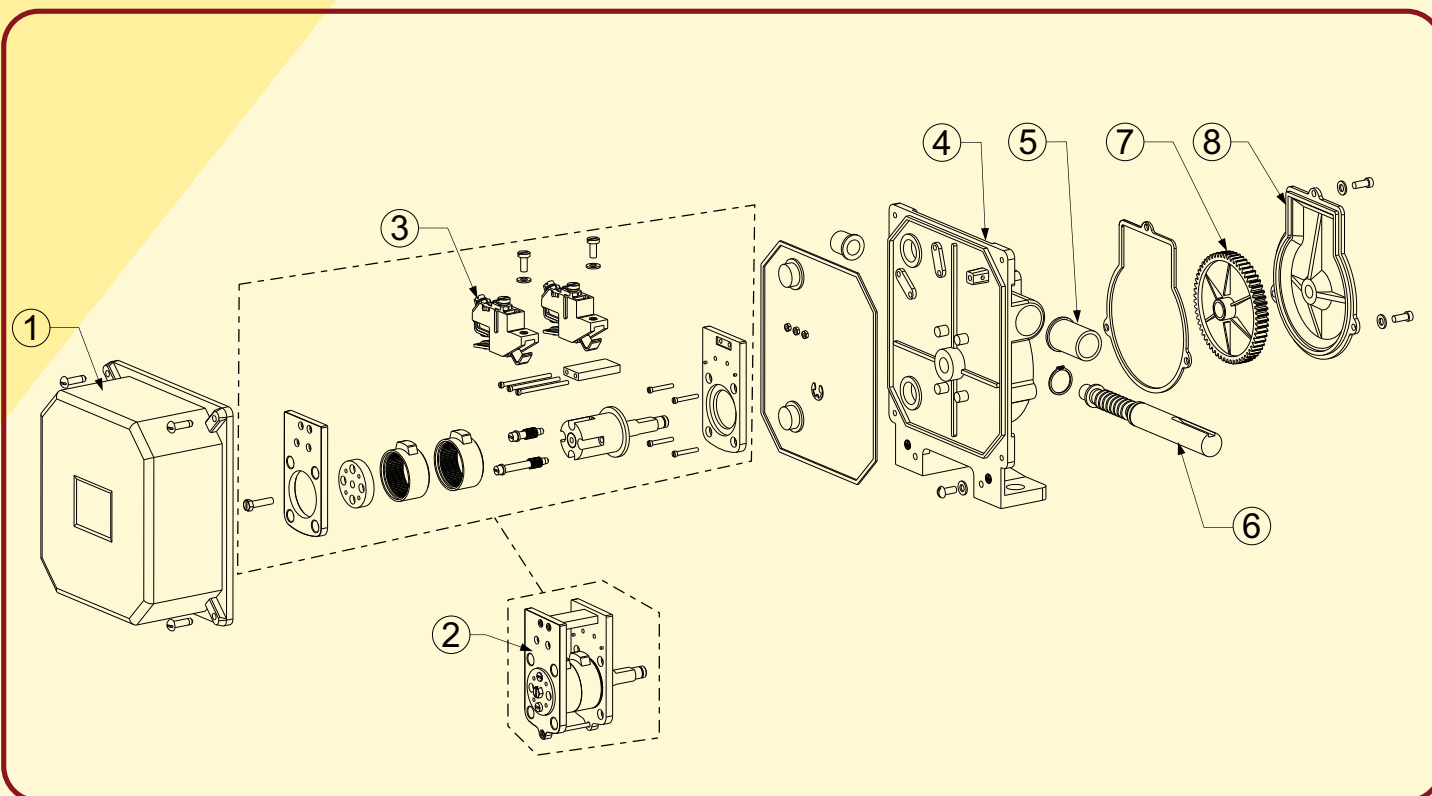
Unit - II: Plot No. 4912, G. I. D. C., Phase IV, Vatva, Ahmedabad - 382445
 Tel.: (079) 68169700/702/712
 E-mail : enquiry2@socgroup.in

Visit us at :
www.speedocontrols.com
www.socremote.com
www.socjoystick.com

SPEED-O-CONTROLS PVT. LTD.
CRANE CONTROL GEAR V6

BLOW UP FOR GRLS LIMIT SWITCHES

[CLICK HERE FOR INDEX](#)



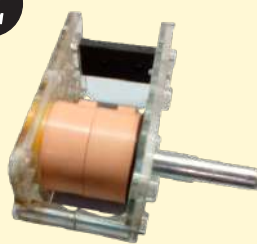
SPARES FOR GRLS LIMIT SWITCHES

1



**TOP COVER
(40GRTC)**

2



**FULL CAM ASSEMBLY
(40GRCM)**

3



**CONTACT ELEMENT
ASSEMBLY-40A
(40GRCA)**

4



**BOTTOM COVER
(40GRBC)**

5



**NYLON BUSHES
(40GRNB)**

6



**GEAR SHAFTS
(40GRGS)**

7



**WORM WHEEL
(40GRWW)**

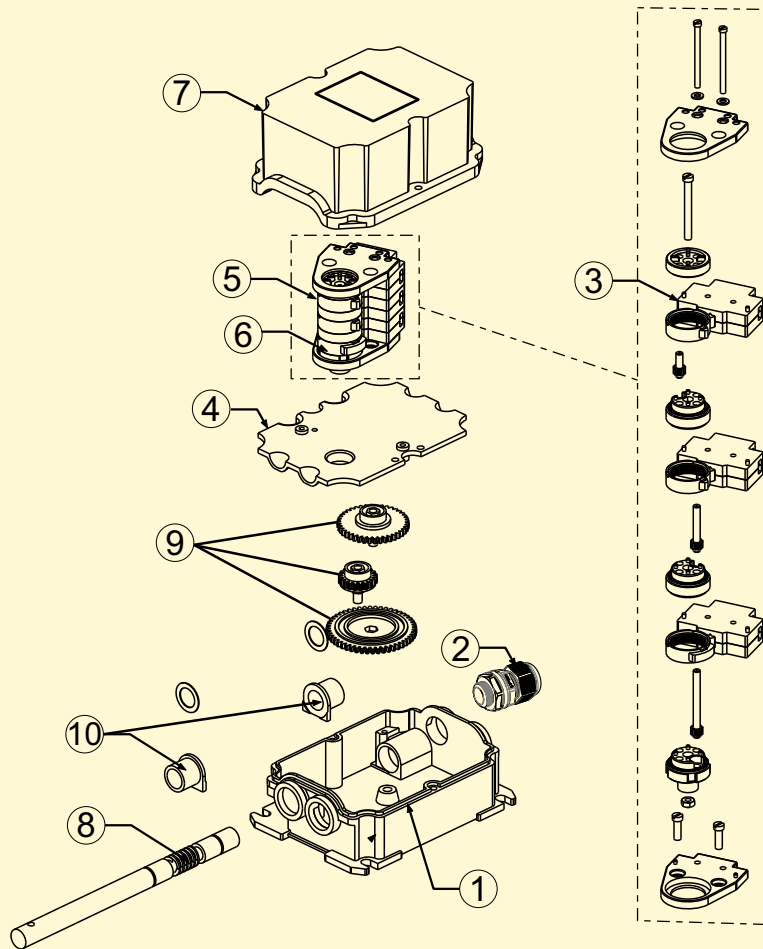
8



**GEAR BOX COVER
(40GRGB)**

[CLICK HERE FOR INDEX](#)

BLOW UP FOR FG LIMIT SWITCHES



SPARES FOR FG LIMIT SWITCHES

<p>1</p>  <p>BOTTOM COVER (10FGBC)</p>	<p>2</p>  <p>CABLE GLAND (10FGCG)</p>	<p>3</p>  <p>CONTACT ELEMENT ASSEMBLY-10A (10FGCA)</p>	<p>4</p>  <p>MOUNTING PLATE (10FGMP)</p>	<p>5</p>  <p>SET OF CAMS ASSEMBLY 2 NC CONTACT (10FGCM2)</p>
<p>6</p>  <p>SET OF CAMS ASSEMBLY 4 NC CONTACT (10FGCM4)</p>	<p>7</p>  <p>TOP COVER (10FGTC)</p>	<p>8</p>  <p>WORM SHAFT (10FGWS)</p>	<p>9</p>  <p>GEAR (10FGGR)</p>	<p>10</p>  <p>START BUSH/ END BUSH (10FGSB/10FGEB)</p>

CRANE CONTROL GEAR



POWER DISTRIBUTION



RADIO REMOTE CONTROLS



JOYSTICK CONTROLLER



FLAMEPROOF PRODUCTS



OTHER ELECTRONICS



“Our Customer do not buy products. They buy the benefits that our products provides.”

H. O. Unit -I : C-15/16, Nand Jyot,
Industrial Estate, Andheri-Kurla, Road,
Mumbai - 400072 ,
Tel : (022) 42469700-730,
E-mail : sales@socgroup.in

Visit us at :
www.speedocontrols.com
www.socremote.com
www.socjoystick.com

Unit - II: Plot No. 4912, G. I. D. C.,
Phase IV, Vatva,
Ahmedabad - 382445
Tel.: (079) 68169700/702/712,
E-mail : enquiry2@socgroup.in