

Limit Switch (XLR-22)-M



Introduction

The XLR 4 way switch operates the control change-over contacts of a motor of a moving equipment. When the moving equipment, operating with a load, actuates the 200mm rods of the Limit Switch, the NO/NC contact elements change-over to control the equipment's movement.

Operation

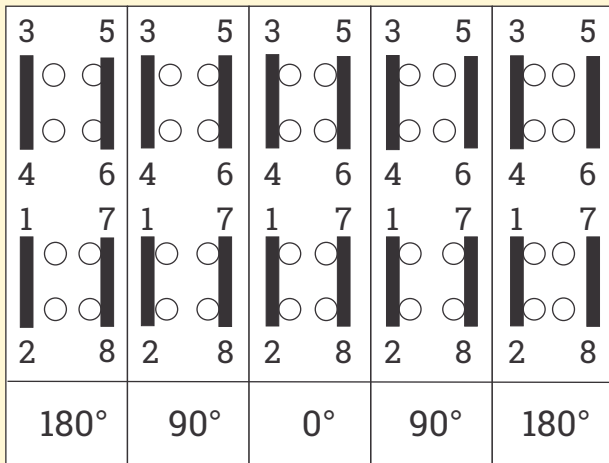
The contacts operate / change-over at 90° rotations. The limit switch has 4 position 0° - 90° - 180° - 270° operations used for single / two speed motor control. The Limit switch has 200 mm rods with 4 positions and 4 contacts.

Technical Data

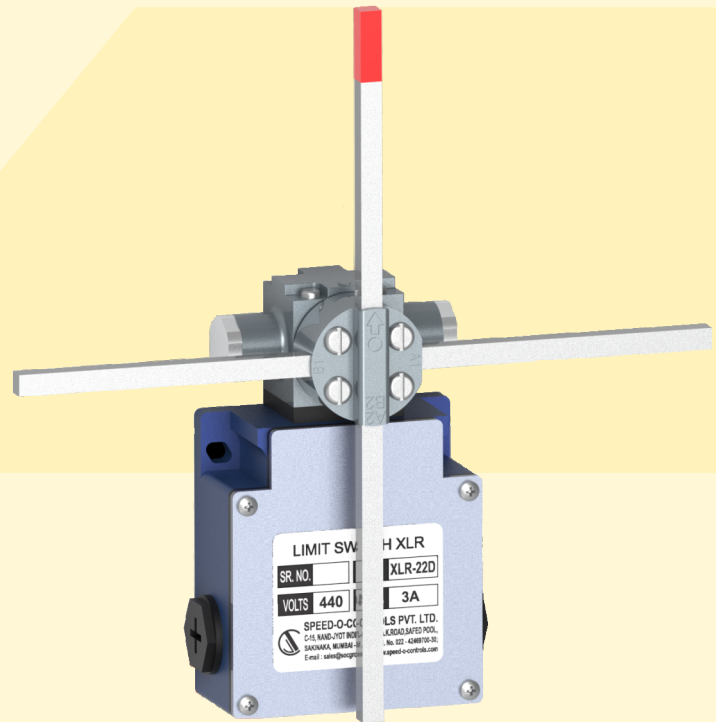
Body Material	Metallic
Protection Degree	IP-65 protection rating according to IEC/EN 60529
Contact Material	Double break
Rated Voltage / frequency	690 V / 50HZ
withstand voltage	kV 4
Rated thermal current	3 A
Cable Entry	2.5Ø
Ambient Temperature	Operating -25° + 55° C Storage -30° + 70°C
Material Class	Class II IEC / En60497
Pollution Class	Class III IEC / En60497

Wiring Diagram F

XLR-22 D With Mechanical Interlock

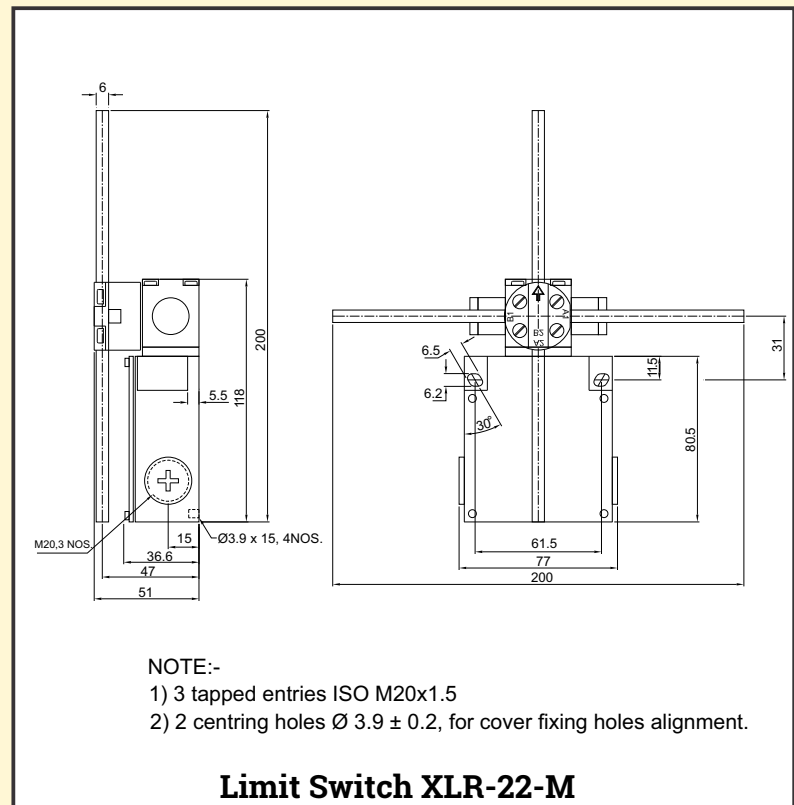


Two Speed



For two-speed motor control

Description	Tune	Diagram
4-position with mechanical interlock	XLR-22D	F



Limit Switch XLR-22-M